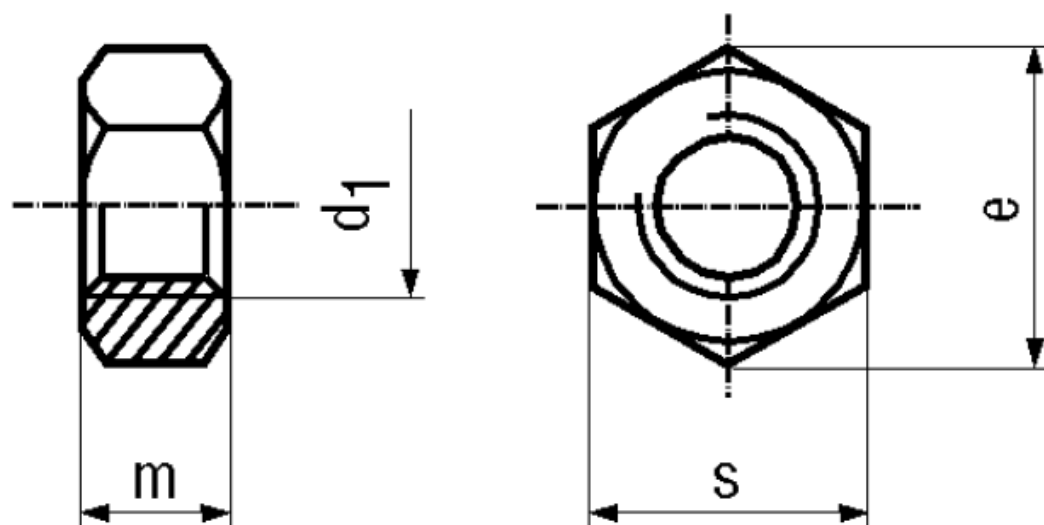


BN 628 - DIN 934 - ~ISO 4032

Hexagon nuts ~0,8d

DIN 934
~ISO 4032
~UNI 5588



Material	Stainless steel	Quality	A2
----------	------------------------	---------	-----------

Article No. - 1241427

d_1	M2,5
e min.	5,45
s	5
m max.	2

DIN 934: Standard withdrawn

Hexagon nuts type 1 ISO 4032: BN 5713 / BN 2586