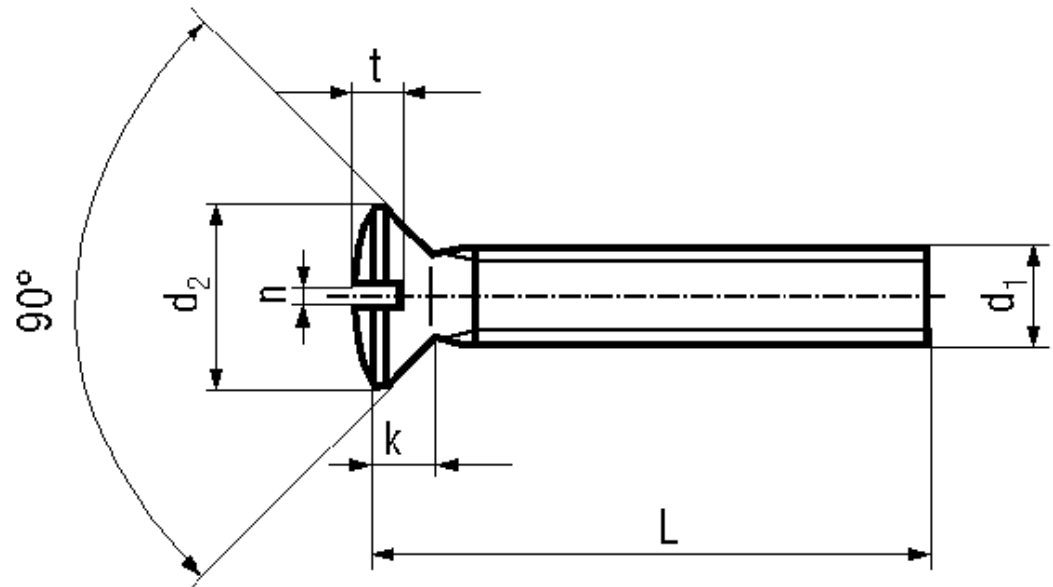


BN 656

Slotted oval countersunk head screws

DIN 964 A
~ISO 2010
~UNI 6110



Material Quality

Article No. - 1075578	
d ₁	M2,5
L	8
d ₂	4,7
k max.	1,5
n	0,6
t min.	1

DIN 964: Standard withdrawn

All lengths fully threaded.

Slotted oval countersunk head with small head: BN 659