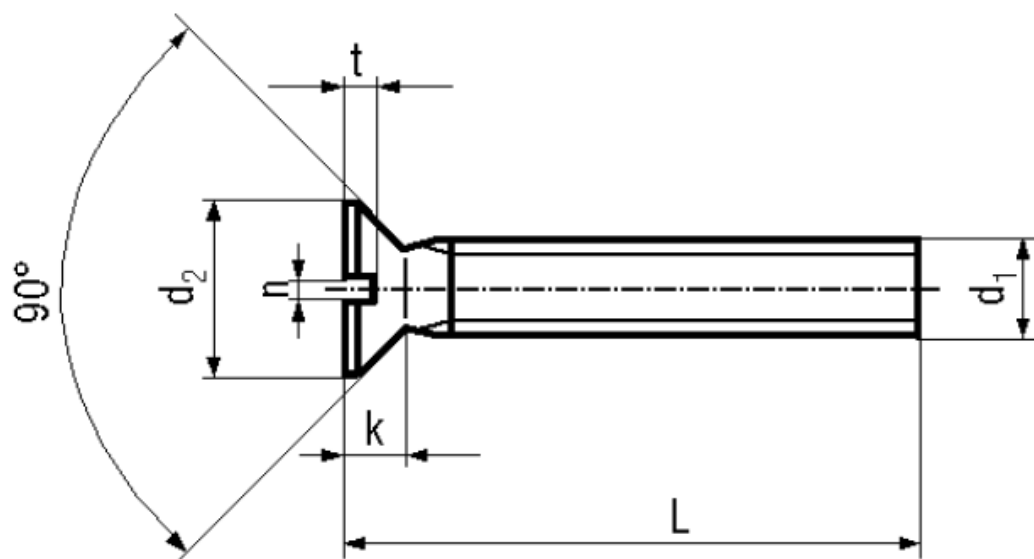


BN 363

Slotted flat countersunk head screws

DIN 963 A
~ISO 2009
~UNI 6109



Material	Steel	Tensile strength	800 N/mm²
Surface	zinc plated blue	Proof stress 0,2%	640 N/mm²
Quality	8.8	Elongation after fracture	min. 12%

Article No. - 1143573

d ₁	M2,5
L	5
d ₂ max.	4,7
k max.	1,5
n	0,6
t min.	0,5
Proof load (N)	2000

DIN 963 A: Standard withdrawn
All lengths fully threaded.