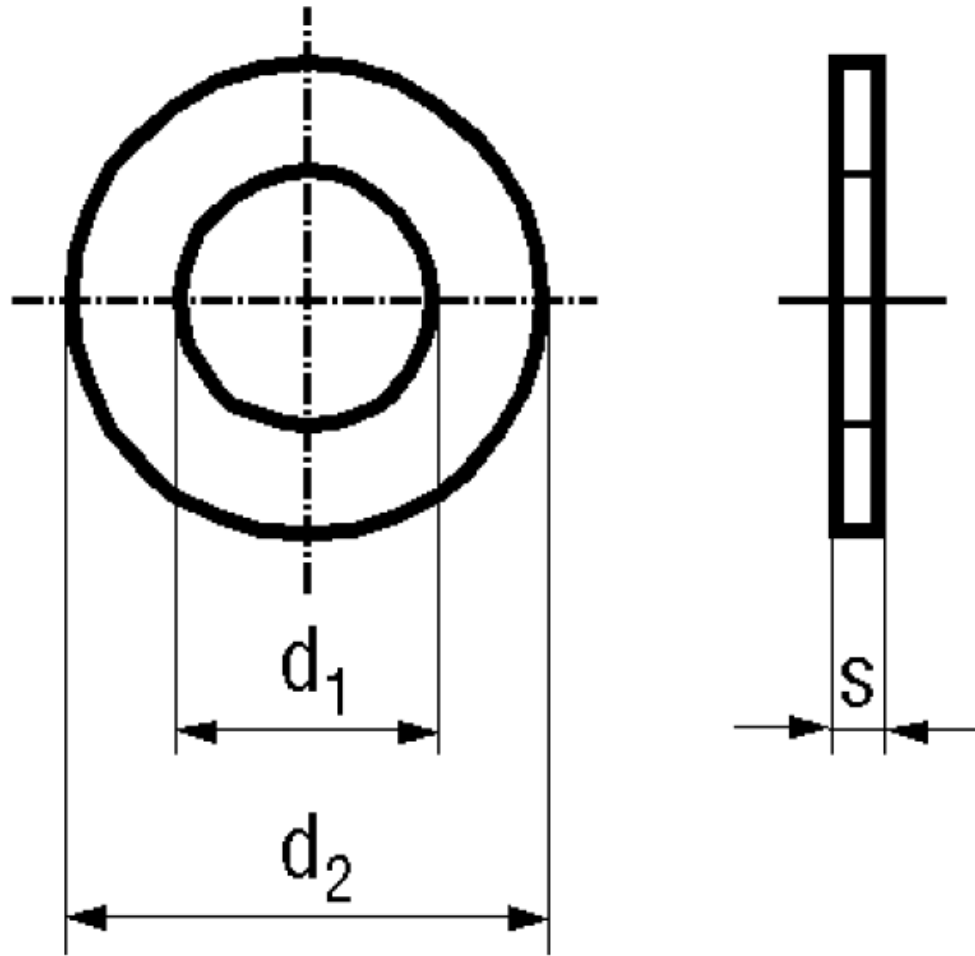


BN 584 - DIN 125 A - ~ISO 7089

Flat washers
without chamfer
punched

DIN 125 A
~ISO 7089
~UNI 6592



Material	Copper	Surface	plain
----------	--------	---------	-------

Article No. - 1226894	
fit for	M16
d_1	17
d_2	30
s	3

DIN 125: Standard withdrawn