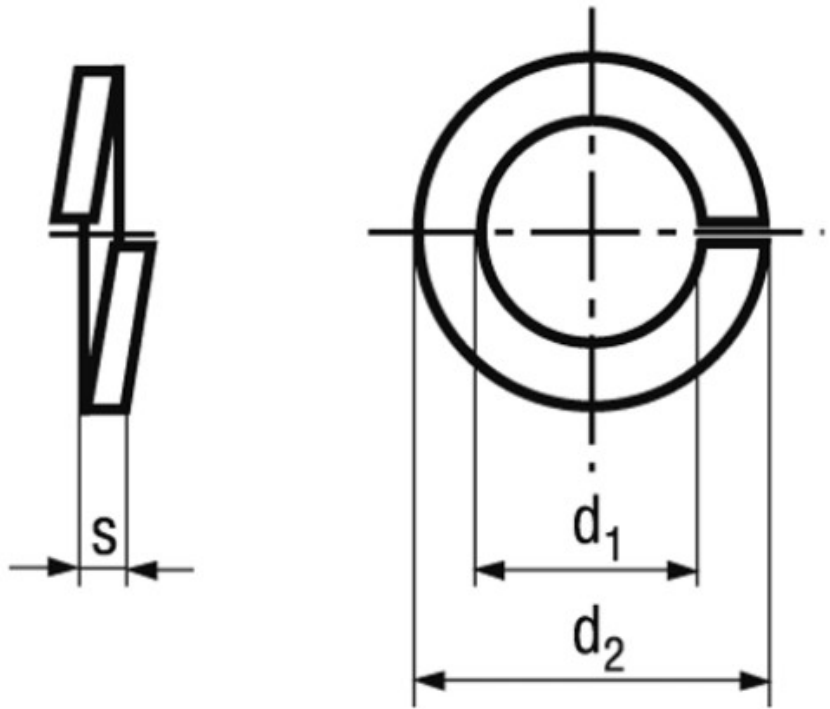


BN 5258 - DIN 7980

Helical spring lock washers
for screws with cylindrical head

DIN 7980



Material	Stainless steel	Quality	A2
----------	------------------------	---------	-----------

Article No. - 3062120

for thread	M16
d_1 min.	16,2
d_1 max.	17
d_2 max.	24,4
s	3,5

DIN 7980: Standard abolished