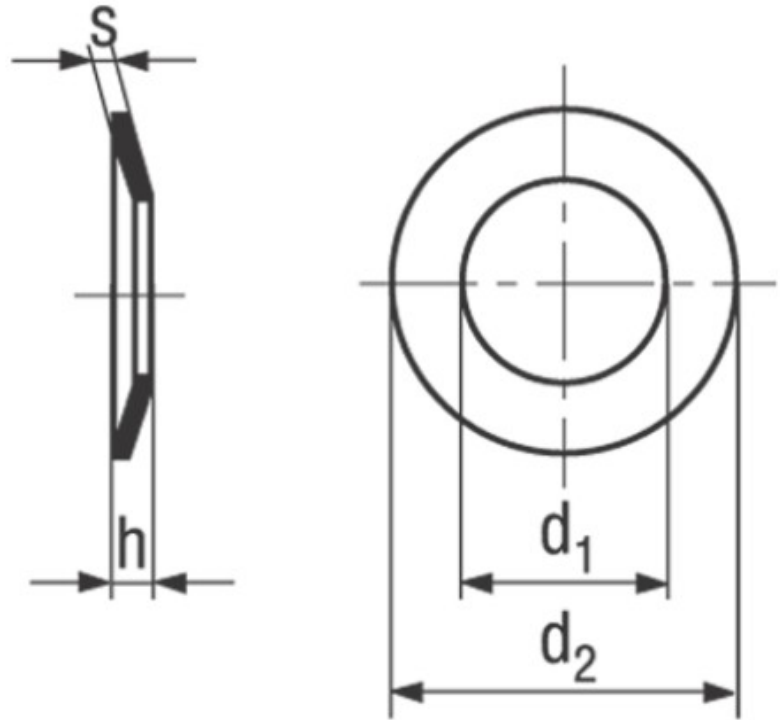


BN 1374 - DIN 6796

Conical spring washers
for fastening joints

DIN 6796
~UNI 8836



Material	Spring steel	Hardness	420-510 HV
Surface	phosphated		

Article No. - 1145002

for thread	M16
d_1	17
d_2	39
h min.	4,58
h max.	5,25
s	4