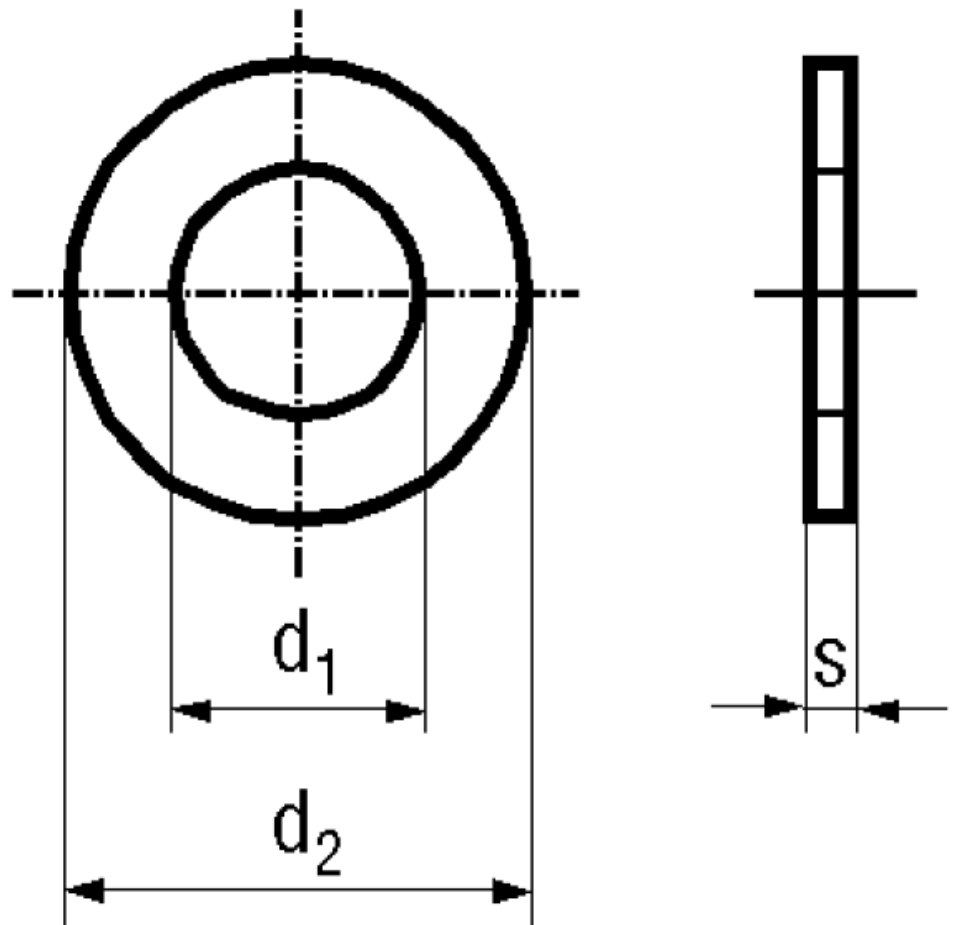


BN 584 - DIN 125 A - ~ISO 7089

Flat washers
without chamfer
punched

DIN 125 A
~ISO 7089
~UNI 6592



Material	Copper	Surface	plain
----------	--------	---------	-------

Article No. - 1226886	
fit for	M14
d_1	15
d_2	28
s	2,5

DIN 125: Standard withdrawn