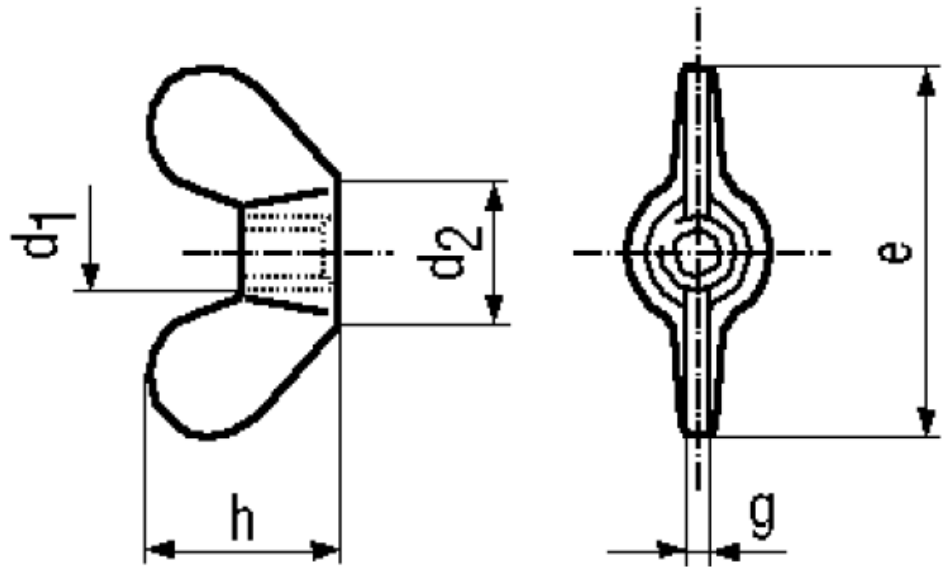


## BN 208 - DIN 315

Wing nuts

DIN 315  
~UNI 5448 B



Material	Malleable cast iron / Steel	Surface	zinc plated blue
----------	-----------------------------	---------	------------------

Article No. - 1099221	
d <sub>1</sub>	M14
d <sub>2</sub> max.	28
e max.	72
g max.	6,0
h max.	36

Material at manufacturer's option.