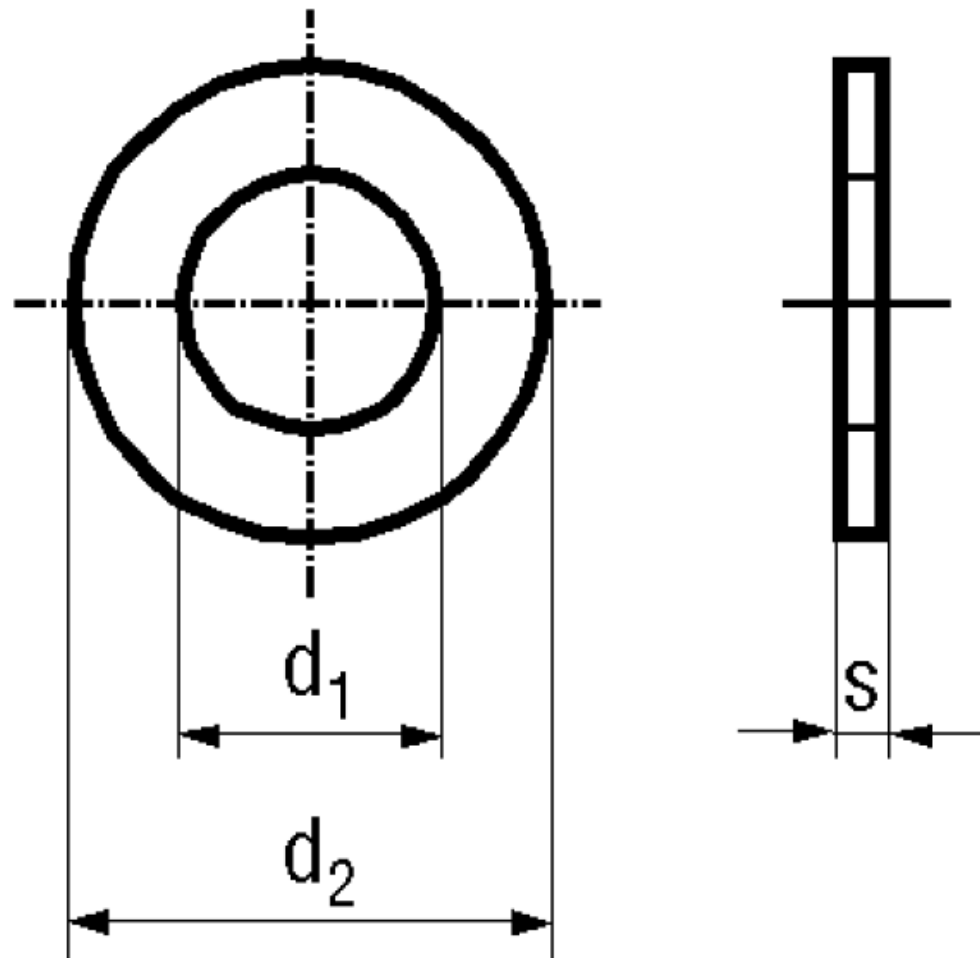


BN 715 - DIN 125 A - ~ISO 7089

Flat washers
without chamfer

DIN 125 A
~ISO 7089
VSM 13904
~UNI 6592



| | | | |
|----------|------------------|----------------|--------|
| Material | Steel | Hardness grade | 140 HV |
| Surface | zinc plated blue | | |

Article No. - 1887793

| | |
|------------|-----|
| for thread | M12 |
| d_1 | 13 |
| d_2 | 24 |
| s | 2,5 |

M4,5: Not included in DIN 125 A, ISO 7089 and VSM 13904

M1,7; M2,3; M2,6; M7; M18; M22; M27: Not included in ISO 7089