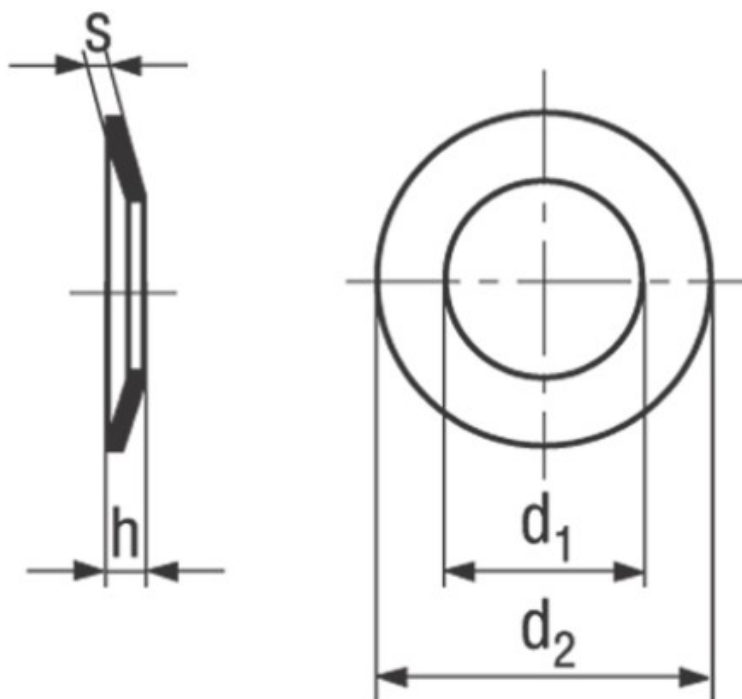


## BN 1374 - DIN 6796

Conical spring washers  
for fastening joints

DIN 6796  
~UNI 8836



Material	Spring steel	Hardness	420-510 HV
Surface	phosphated		

### Article No. - 1144987

for thread	M12
$d_1$	13
$d_2$	29
h min.	3,43
h max.	3,95
s	3