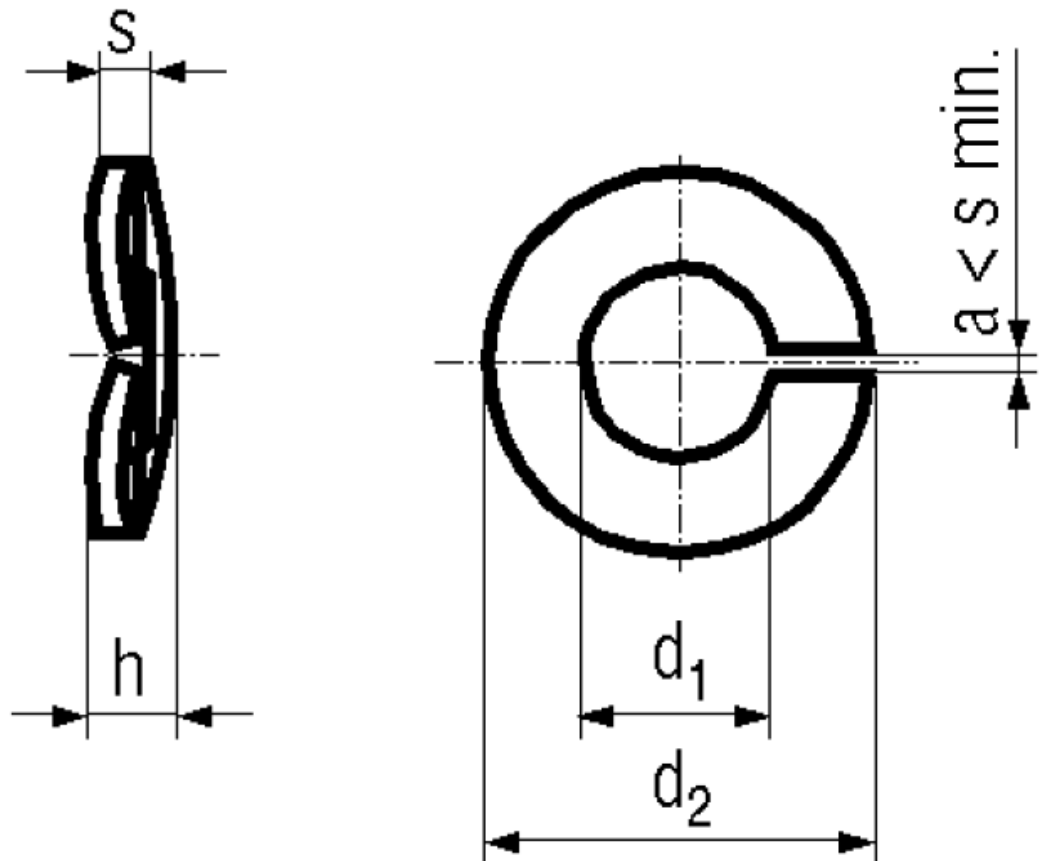


## BN 769 - DIN 128 A

Curved spring lock washers

DIN 128 A  
~UNI 8839 A



|          |                             |          |            |
|----------|-----------------------------|----------|------------|
| Material | Steel                       | Hardness | 430-530 HV |
| Surface  | mechanical zinc plated blue |          |            |

### Article No. - 1276719

|                     |      |
|---------------------|------|
| for thread          | M10  |
| d <sub>1</sub> min. | 10,2 |
| d <sub>2</sub> max. | 18,1 |
| h min.              | 2,85 |
| s min.              | 1,7  |

DIN 128: Standard withdrawn

M33: Not included in DIN 128