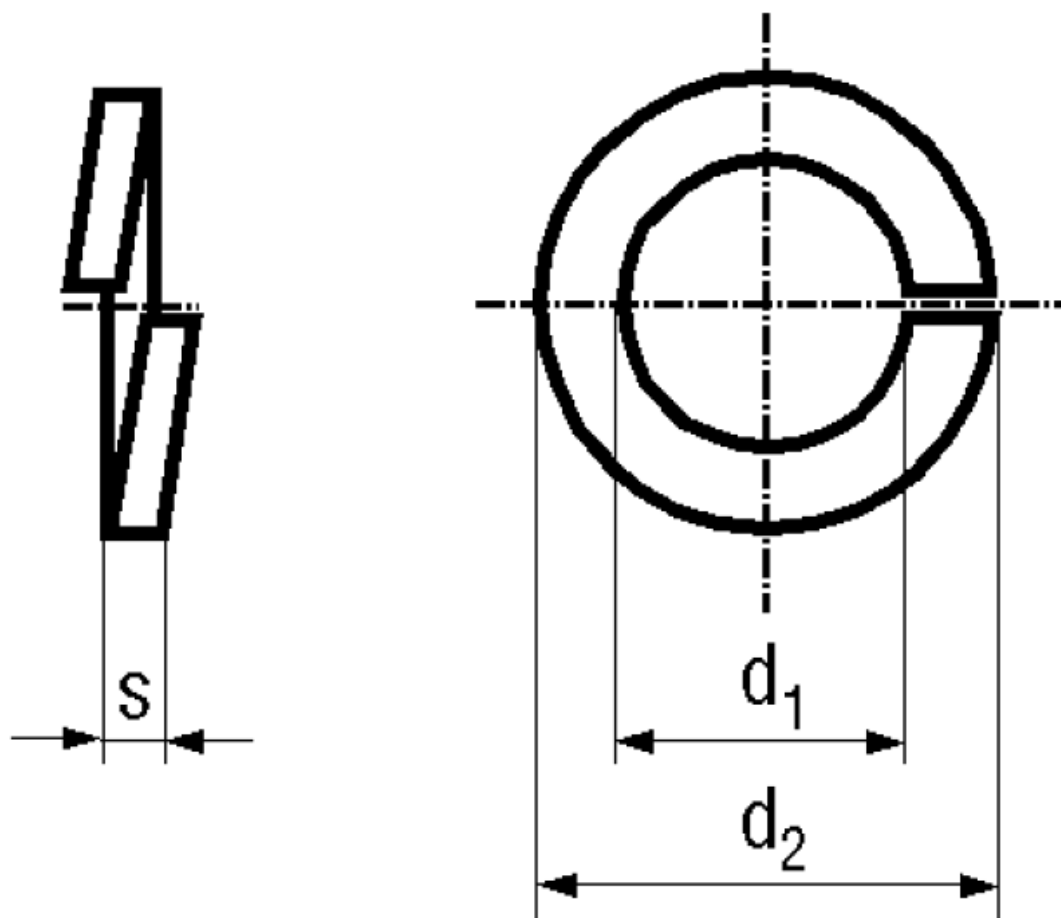


## BN 672 - DIN 127 B

Helical spring lock washers with flat end

DIN 127 B  
~UNI 1751 B



Material	Stainless steel	Quality	A2 / 1.4310
----------	-----------------	---------	-------------

### Article No. - 1253646

for thread	M10
$d_1$ min.	10,2
$d_1$ max.	10,7
$d_2$ max.	18,1
s	2,2

DIN 127: Standard withdrawn.

Material: A2 / 1.4310 at manufacturer's option.

We recommend DIN 128 A (curved spring lock washers) for new constructions: BN 674 / BN 8856.