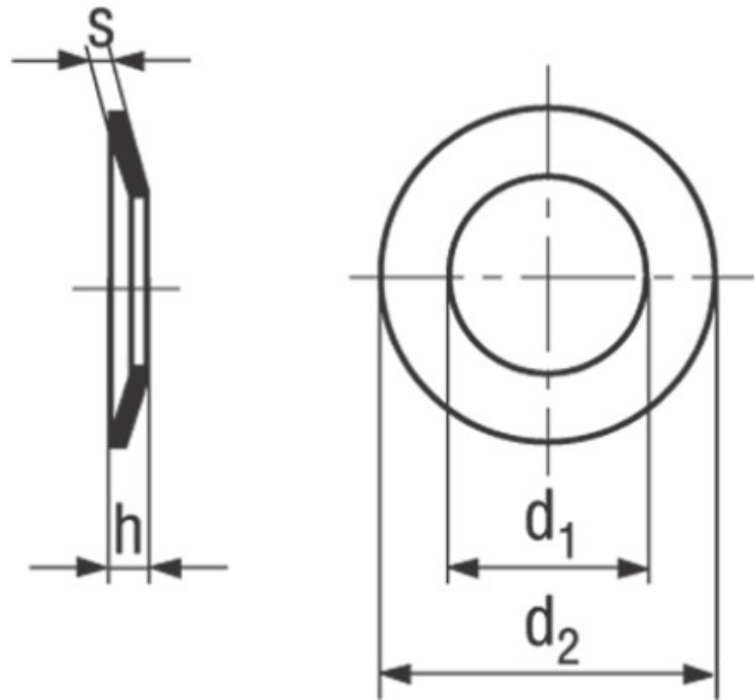


BN 65363 - DIN 6796

Conical spring washers

DIN 6796
~UNI 8836



Material	Spring steel	Hardness	420-510 HV
Surface	zincflake coated		

Article No. - 5523047

for thread	M10
d_1	10,5
d_2	23
h min.	2,8
h max.	3,2
s	2,5