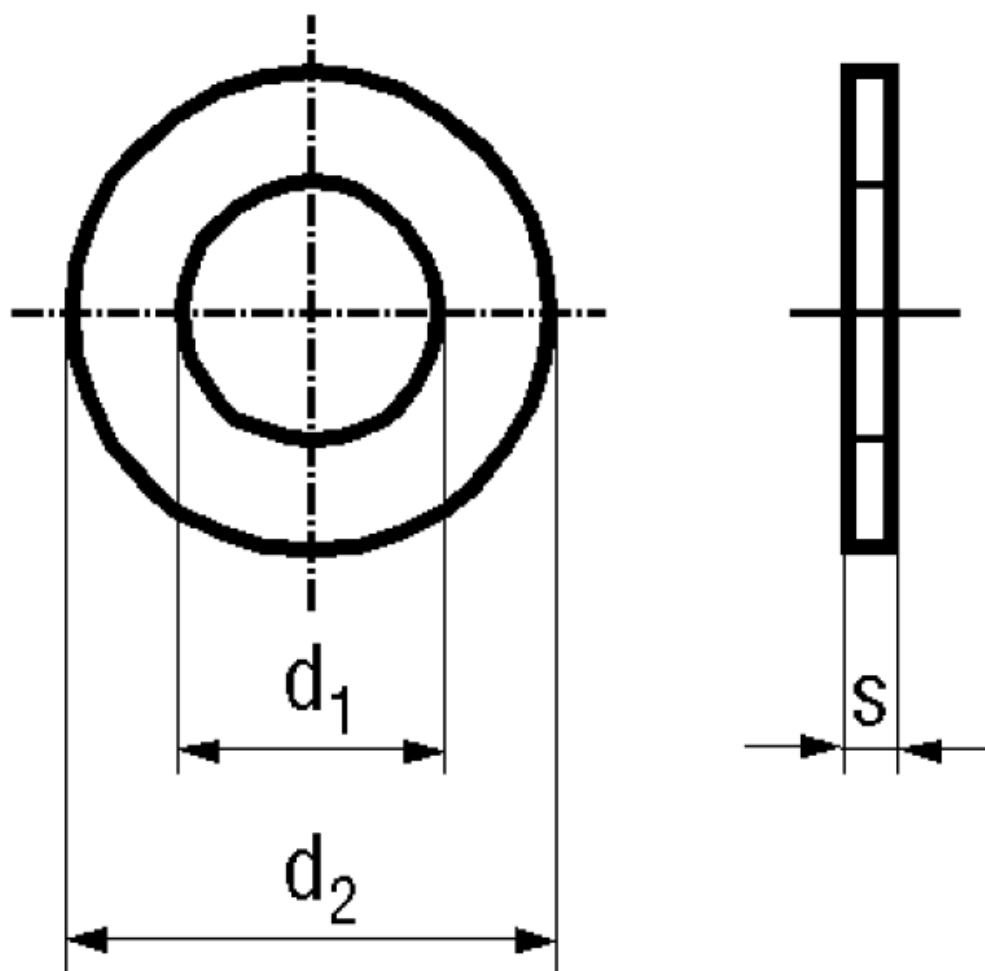


BN 584 - DIN 125 A - ~ISO 7089

Flat washers
without chamfer
punched

DIN 125 A
~ISO 7089
~UNI 6592



Material Surface

Article No. - 1761668

fit for	M10
d_1	10,5
d_2	20
s	2

DIN 125: Standard withdrawn