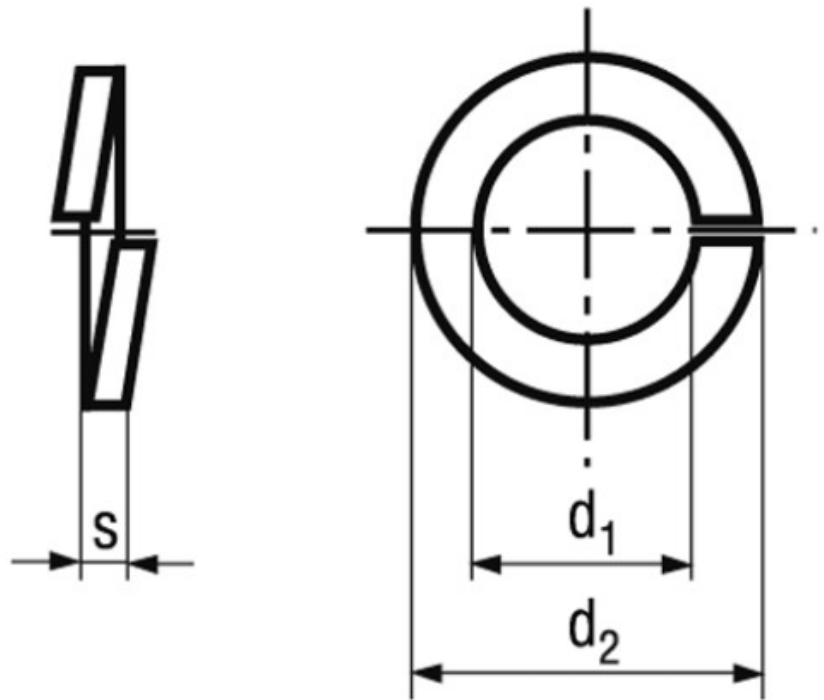


## BN 5258 - DIN 7980

Helical spring lock washers  
for screws with cylindrical head

DIN 7980



Material	<b>Stainless steel</b>	Quality	<b>A2</b>
----------	------------------------	---------	-----------

Article No. - 3062118	
for thread	M10
d <sub>1</sub> min.	10,2
d <sub>1</sub> max.	10,7
d <sub>2</sub> max.	16
s	2,5

DIN 7980: Standard abolished