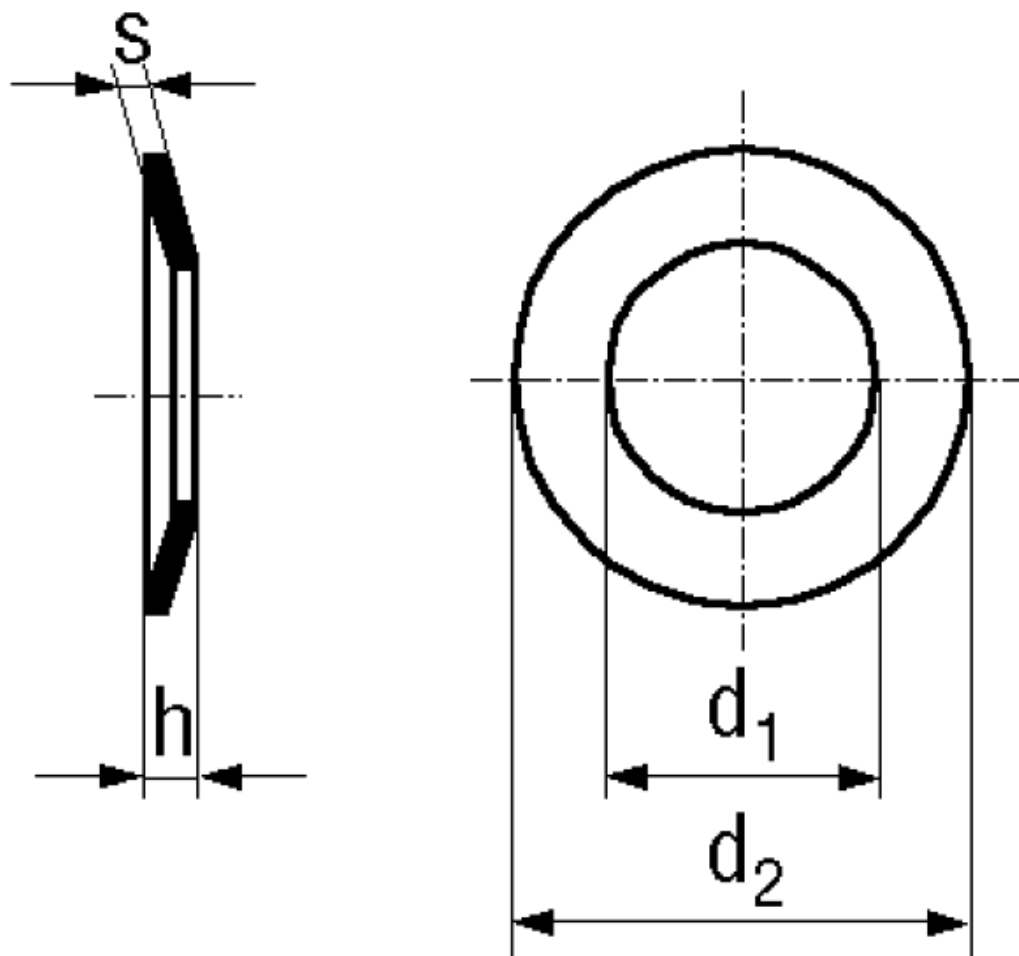


## BN 2312 - DIN 6796

Conical spring washers  
for fastening joints

DIN 6796  
~UNI 8836



Material	<b>Stainless steel</b>	Quality	<b>A2</b>
----------	------------------------	---------	-----------

### Article No. - 2065983

for thread	M10
$d_1$	10,5
$d_2$	23
h min.	2,8
h max.	3,2
s	2,5

h max. = : Max. dimension as supplied.