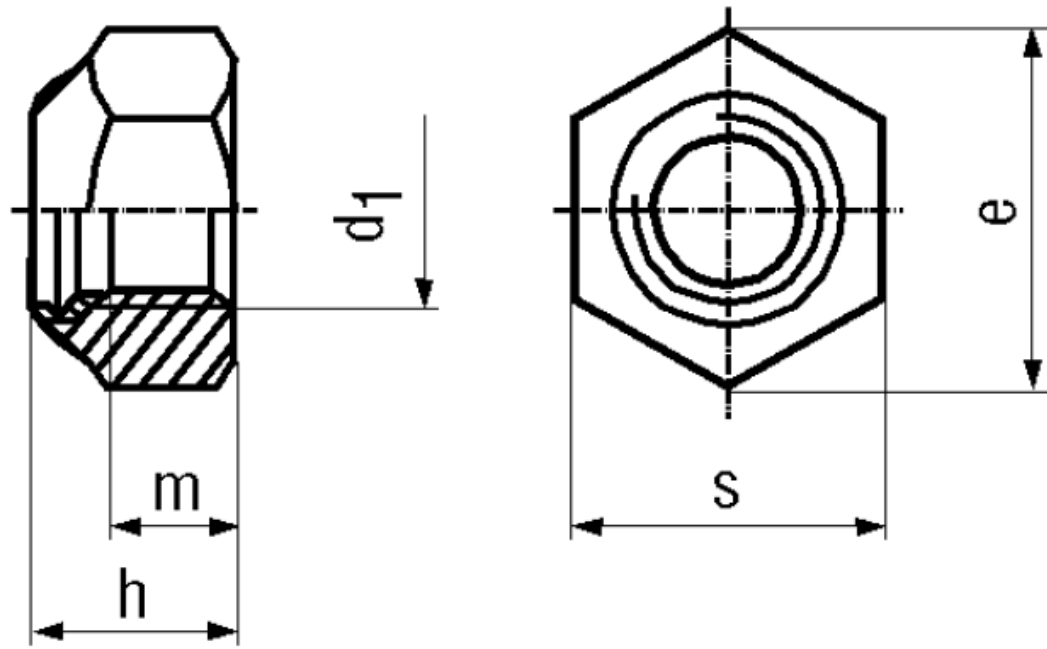


BN 161 - DIN 985 - ~ISO 10511

Prevailing torque type hexagon lock nuts
nuts
low type, with polyamide insert

DIN 985
~ISO 10511
~UNI 7474



Material	Steel	Quality	Cl. 6
Surface	zinc plated blue		

Article No. - 1055569	
d ₁	M10
e min.	18,9
h max.	10
m	6,5
s	17

DIN 985: Standard withdrawn
Property class: At manufacturer's option.