

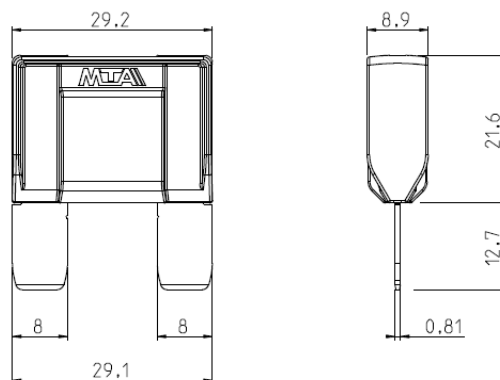
MaxiVAL® fuses are compliant with ISO 8820-3 Standard (Type “E”). This is the most applied standard to protect medium-heavy wires. Its slow blow operating characteristics allow high peak inrush currents with heavy duty cycle. MaxiVAL® are made of Zinc alloy whose low melting temperature avoids heavy over temperatures



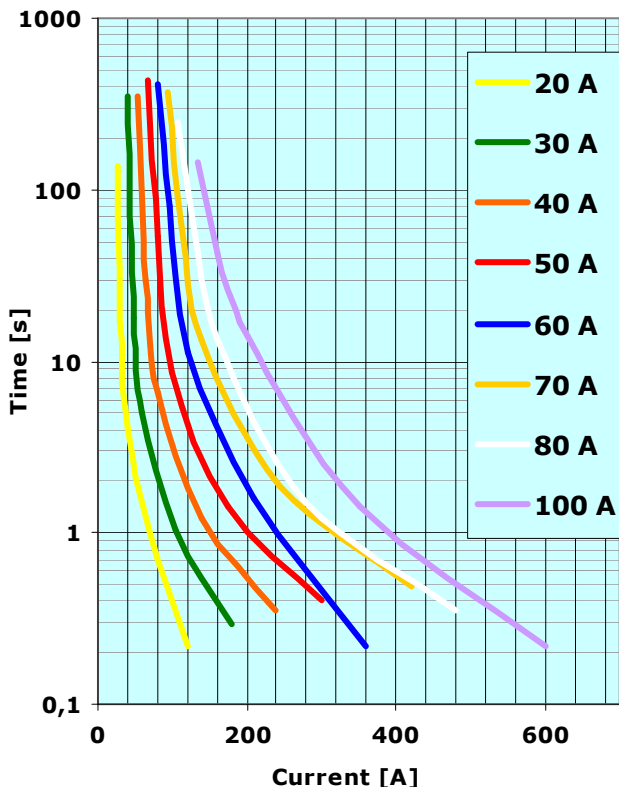
**Breaking capacity:** 1000[A]  
**Voltage rating:** 32[Vdc]  
**Ambient temperature:** -40°C to +125°C

MTA/ISO MaxiVAL® operating time limits		
% I <sub>N</sub>	min [s]	max [s]
100	360000	-
135	60	<b>600 (*)</b>
160	10	200
200	2	60
350	0,2	7
600	0,04	1

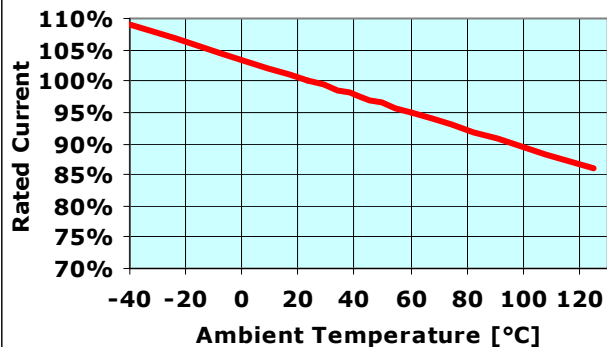
(\*) Exceeds ISO requirements (900 Sec)



**MaxiVAL® Operating Time**  
 @23°C test module ISO



**MaxiVAL® Re-Rating Curve.**  
 Test module ISO



CURRENT RATING [A]	VOLTAGE DROP @ current rating [mV]	CABLE SIZE [mm <sup>2</sup> ]	I <sup>2</sup> t
20	105	4,0	2880
30	95		7069
40	90		23120
50	89	6,0	36980
60	84		40680
70	87	10,0	112500
80	85		23120
100	89,5	16,0	65000