



ALFA25 - ALFA26



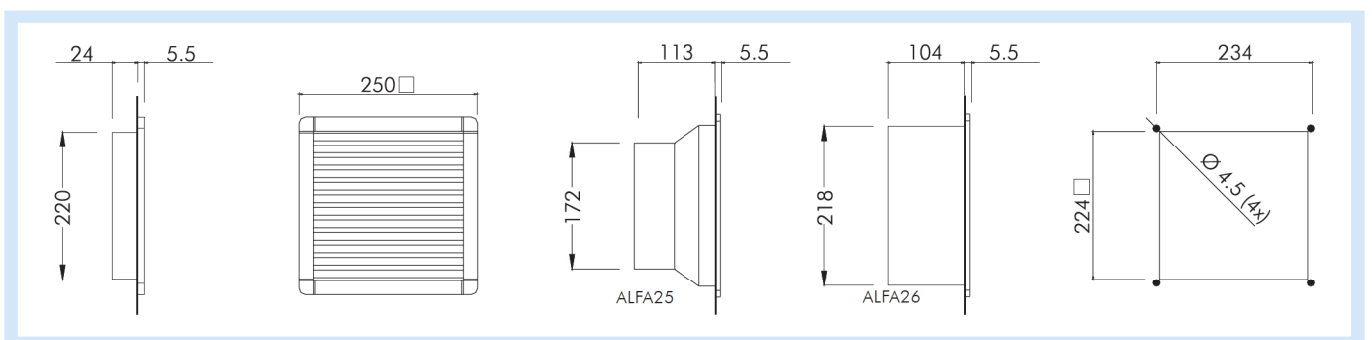
Features	Unit	ALFA2000BPB	ALFA2500BPB	ALFA2510BPB	ALFA2524BPTB	ALFA2548BPTB	ALFA2600BPB	ALFA2610BPB	ALFA2640BPB
Air flow rate (free blow)	m ³ /h	-	230(260)		230		370(400)		
Flow rate with exit filter	m ³ /h	-	180(210)		180		250(270)		
Power supply	V/Hz	-	230/50-60	115/50-60	24DC	48DC	230/50-60	115/50-60	400/50-60
Dimensions HxWxD	mm	250x250x30	250x250x119				250x250x110		
Power consumption	W	-	40(38)		26	33	70(90)		60(70)
Current consumption	A	-	0.17(0.16)	0.34(0.32)	1.08	0.68	0.40(0.38)	0.80(0.76)	0.18(0.15)
Overcurrent protection	-	-	thermal		impedance		thermal		
Electric connection	-	-	3-pole terminal 2.5 mm ²				4-pole terminal 1.5 mm ²		
Duty cycle	-	-	100%						
Operating temperature	°C	-	-10/+70						
Protection degree/class	-	IP54	IP54/Class I						
Noise level	dB(A)	-	53(58)		61		65(68)		
Flow direction	-	-	outside-in						
Bearing	-	-	ball						
Filter mat (Eurovent)	-	-	EU3						
Service life (at 40°C)	hr	-	50,000						
Material	-	-	ABS UL94V-0 Color RAL7035						
Wall thickness	mm	-	1.2-2.4						
Gasket	-	-	self-adhesive						
Weight (with packaging)	kg	0.42(0.52)	1.60(1.80)		1.20(1.40)		2.50(2.70)		
Package dimensions	mm	270x270x40	270x270x140						
Mounting	-	-	Fast Clip-on						
Conformity/Approvals	-	-	CE						

Versions

UL File n. E301228	ALFA2000BPUB	ALFA2500BPUB	ALFA2510BPUB	ALFA2524BPTUB	ALFA2548BPTUB	ALFA2600BPUB	ALFA2610BPUB	-
RAL7032 - Gray - Code ending								delete B
RAL9005 - Black - Code ending								delete B, add N (available on request)
EMC - Code ending								M
Reverse flow - Code ending	-						PR	

Accessories

Filter mat, standard type								ALFAFBP20
Filter mat, high efficiency								ALFAFBP20X
Thermostat 0-60°C, NO contact	-						THV2	
Fan speed controller	-						FSC	
Hood for IP55								CUFF20B



ael-cat-en-13.01