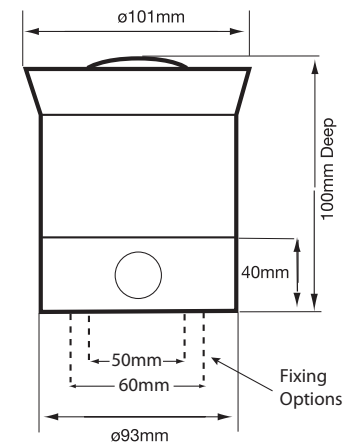
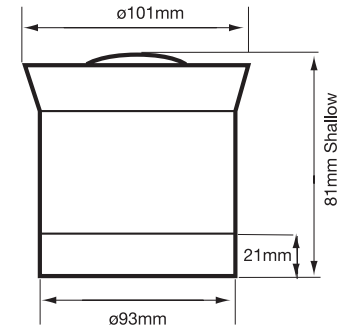


Acoustic Signals - Industrial ELECTRONIC SOUNDERS



Acoustic Signals Electronic Sounders > AE40M Series

Product overview

The AE40M range of electronic sounders are suitable for a wide range of fire and Industrial signalling applications where a low cost, energy efficient and flexible signalling solution is required.

The DC unit offers a two stage alarm with a choice of eight separate

tones, selectable in the unit via a dip switch.

The shallow base design allows for termination inside the enclosure through the rear of the base only. The deep base design allows for termination via two M20 knockouts on the side & two 10mm entries in the rear. The AC unit offers a single stage alarm with a choice of eight separate tones.

AE40M Series > Ordering Information

Code No:	Voltage:	Frequency:	Current:
AE40M-24R-SB	10-30v Dc ---	800-2580 Hz	32 mA •
AE40M-24R ••	10-30v Dc ---	800-2580 Hz	32 mA
AE40M-230R ••	98-260v Ac ~	800-2580 Hz	50 mA

• Current at 24v Dc --- •• Deep Base

Note: Decibels are subject to prime voltage and tone selected

Features

- Continuously rated
- Higher sound output
- Economical
- Suitable for panel, conduit box or surface mounting
- Deep base version - Dustproof and Weatherproof

Material

ABS Plastic

Kg 0.35 DC
0.40 AC

50/60 Hz

°C -40+70

IP 54/65 ••

dB 95-112

INDUSTRIAL

FIRE

APPROVALS and
CONFORMITIES

