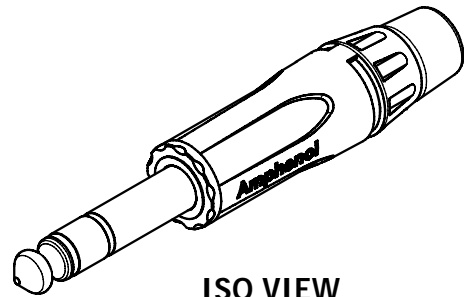
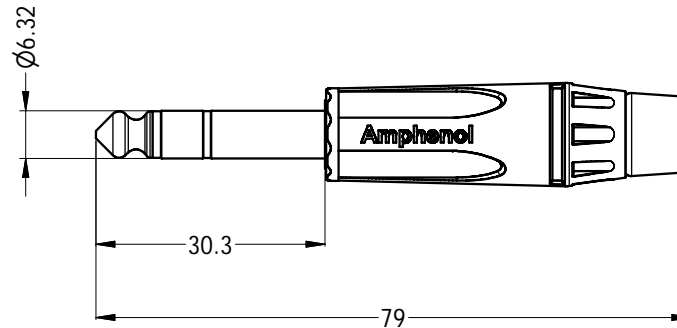
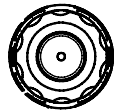
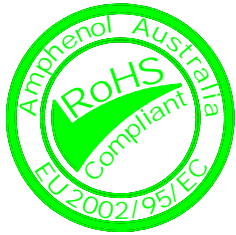


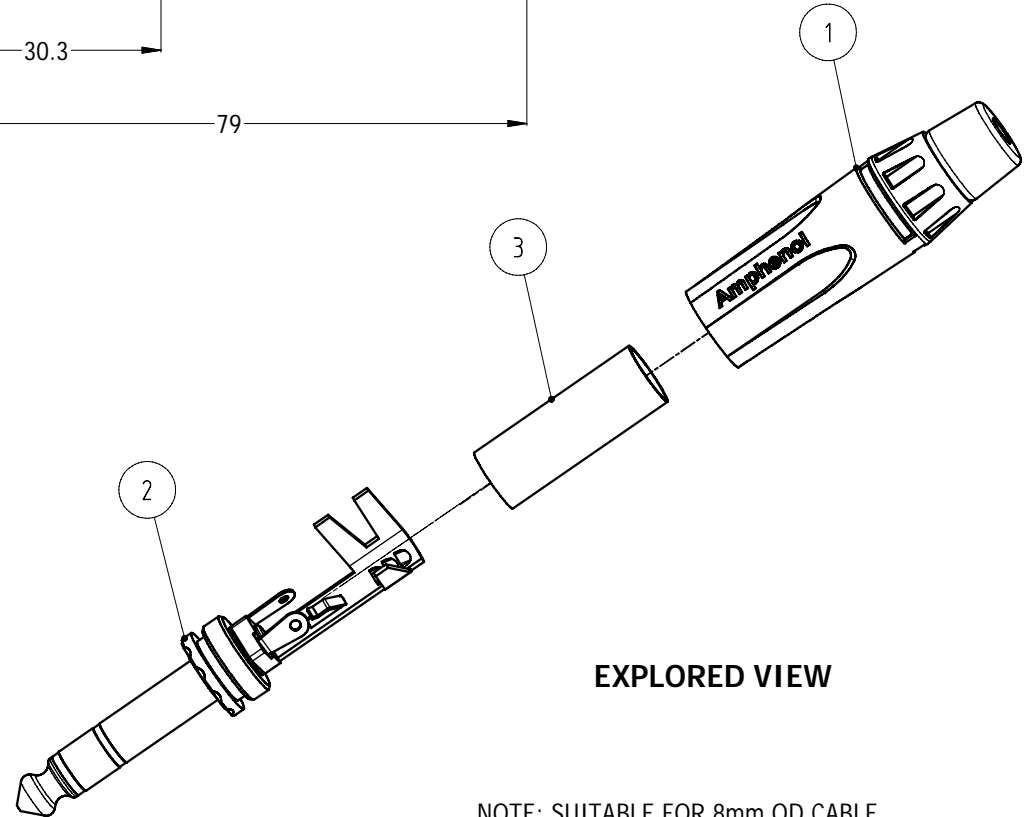
LEGEND = KEY PRODUCT CHARACTERISTICS

REVISION HISTORY

| REV | DESCRIPTION | DATE | BY | ECN |
|-----|-------------|------------|-----|------|
| 0 | FIRST ISSUE | 10/12/2010 | M.H | 8983 |



ISO VIEW



EXPLORED VIEW

NOTE: SUITABLE FOR 8mm OD CABLE

| ITEM | PART NUMBER | DESCRIPTION | QTY |
|------|------------------|------------------------------------|-----|
| 3 | 51270016-521 | INSULATE PVC TUBE CLEAR | 1 |
| 2 | 50310042-330/130 | STEREO INSERT ASSEMBLY NICKEL/GOLD | 1 |
| 1 | 53490006-331/431 | DIECAST SHELL NICKEL/BLACK FINISH | 1 |

Parts List

| PART NUMBER | | |
|-------------|--------------|---------------------------|
| PART NUMBER | SHELL FINISH | CONTACT FINISH |
| ACPS-KN | NICKEL | NICKEL RING, SLEEVE & TIP |
| ACPS-KN-AU | NICKEL | GOLD RING, SLEEVE & TIP |
| ACPS-KB | BLACK | NICKEL RING, SLEEVE & TIP |
| ACPS-KB-AU | BLACK | GOLD RING, SLEEVE & TIP |

| | | | | | |
|--|-------------------------------------|---|------------|----------------|--|
| UNLESS OTHERWISE SPECIFIED TOLERANCE TO BE | | THIS DOCUMENT IS THE PROPERTY OF AMPHENOL AUSTRALIA PTY. LTD. NO PART THEREOF MAY BE REPRODUCED AND USED WITHOUT THE PRIOR WRITTEN CONSENT OF THE OWNER | | | |
| LINEAR | ANGULAR | MATERIAL: | DRN: T.Z | DATE: 10-12-10 | TITLE: 1/4" STEREO PHONE PLUG M-SERIES II CUSTOMER DRAWING |
| X ± 0.5 X.X ± 0.25 X.XX ± 0.1 | X' ± 1 X.X' ± 30' X.XX' ± 15' | SEE PARTS LIST & TABLE | CKD: M.H | DATE: 10-12-10 | |
| BREAK ALL SHARP EDGES AND REMOVE ALL BURRS | | FINISH: SEE TABLE | APP'D: P.M | DATE: 10-12-10 | |
| DO NOT SCALE | | DIMENSIONS IN MILLIMETRES | SCALE: 2:1 | SIZE: A4 | CAD FILE: 55010733000120 |

Amphenol Amphenol Australia Pty.Ltd,
2 Fiveways Blvd, Keysborough, VIC 3173

| | |
|--------------------------------------|---------------------|
| PART No: SEE TABLE | |
| DRAWING NO. 55010733-000-1 | SHEET 1/2 |