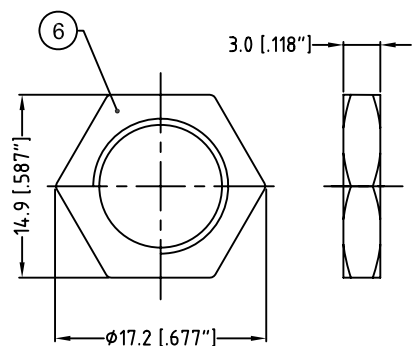
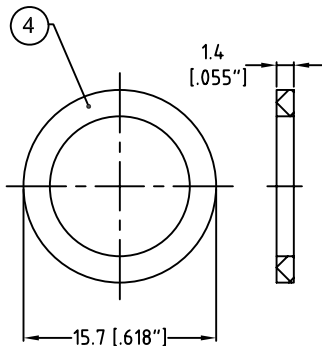


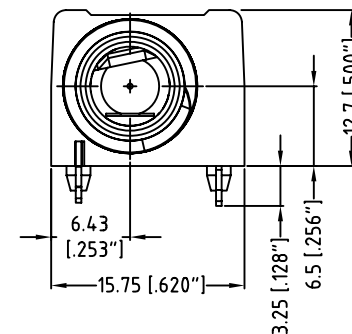
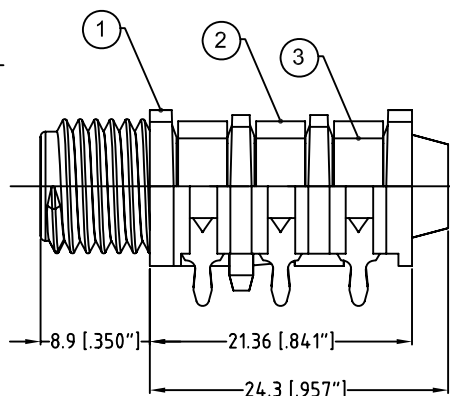
PLASTIC NUT



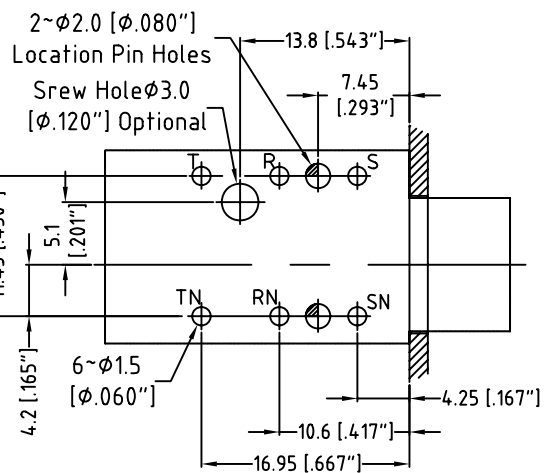
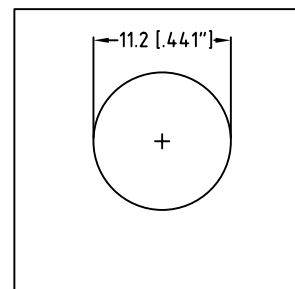
METAL NUT



PLASTIC WASHER



PANEL CUTOUT



PCB LAYOUT

PART NO.	ACJM-PHOP	ACJS-PHOP	PLASTIC BLACK
	ACJM-MHOP	ACJS-MHOP	METAL NICKEL
SCHMATIC			NUT OPTION

NO.	PART NAME	Q'TY	MATERIAL (THICK)	REMARK
6	NUT	1	BRASS	Ni-PLATED
5	NUT	1	PA66	BLACK
4	WASHER	1	PA66	BLACK
3	FLAT TERMINAL	3	H62Y t=0.4mm	Ag-PLATED, RoHS COMPLIANT
2	SPRING TERMINAL	3	QSn6.5-0.1T t=0.4mm	
1	HOUSING	1	PA66 G10	BLACK

UNLESS OTHERWISE SPECIFIED TOLERANCE TO BE		THIS DOCUMENT IS THE PROPERTY OF AMPHENOL AUSTRALIA PTY. LTD.. NO PART THEREOF MAY BE REPRODUCED AND USED WITHOUT THE PRIOR WRITTEN CONSENT OF THE OWNER			0	FIRST ISSUE	M.N.H	29-01-09	----
LINEAR	ANGULAR	CAD FILE: 550105420001110	DRN: M.N.H	DATE: 29-01-09	REV.	CHANGE DETAILS	BY	DATE	CHG/No
X ± 0.5	X° ± 1°	MATERIAL: REFER TO COMPONENT		DATE: 18-02-09	TITLE: 1/4" PHONE OFFSET JACK CUSTOMER DRAWING		Amphenol		
X.X ± 0.1	X°X' ± 30'	FINISH: REFER TO COMPONENT		DATE: 18-02-09	DRAWING NO. 55010542-000-1		SHEET 1 OF 1		
X.XX ± 0.05	X°X'X" ± 15'	DO NOT SCALE		SCALE: 1:1	PART No: REFER TO SCHEMATIC		SIZE: A4		

1

2

3

4

5

6