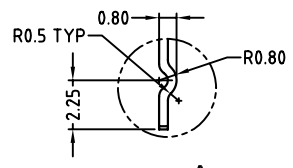
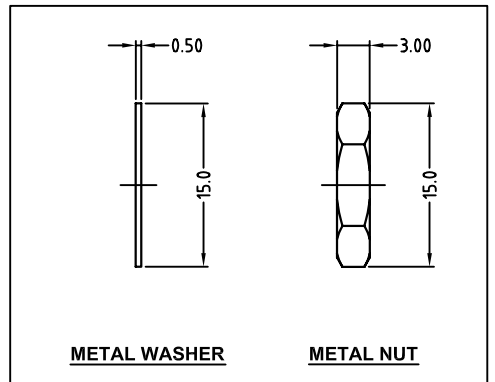
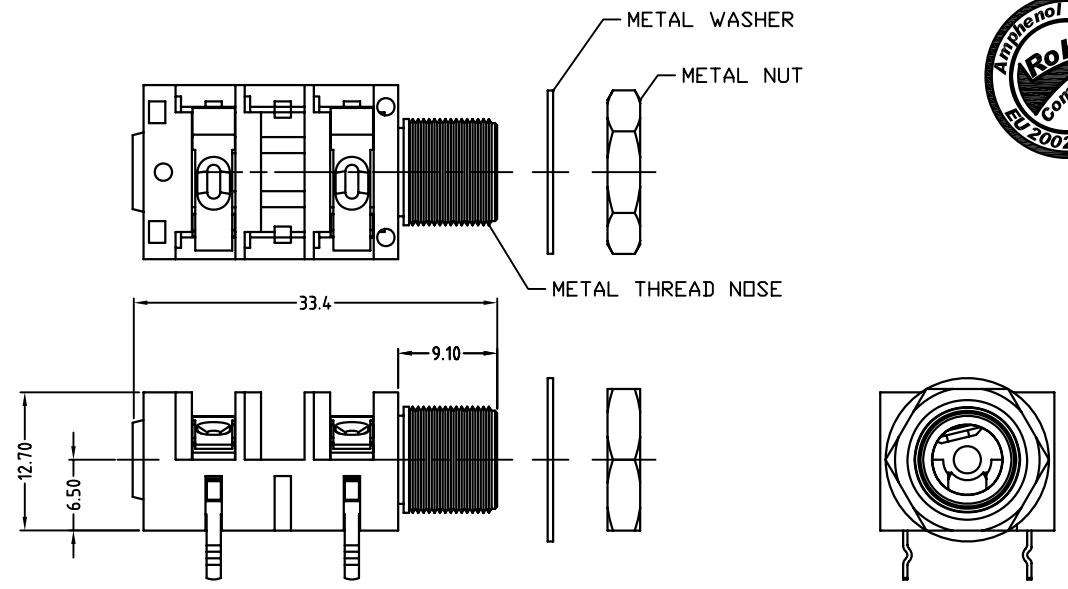
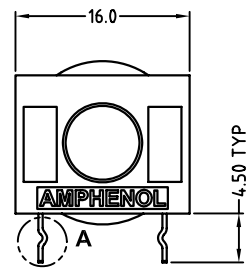


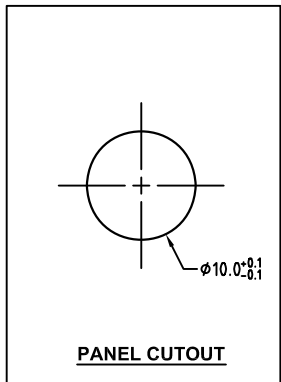
ISO VIEW
SCALE 1:1



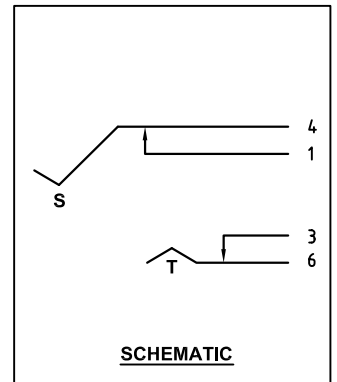
DETAIL A
SCALE 4:1



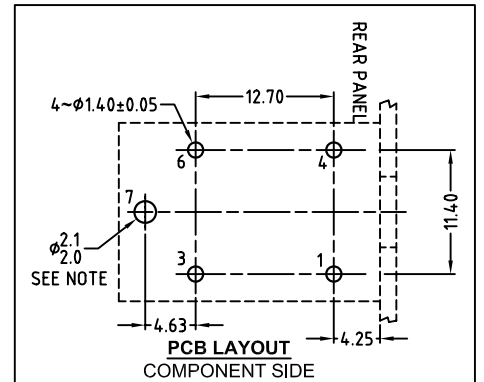
METAL WASHER **METAL NUT**



PANEL CUTOUT



SCHEMATIC



PCB LAYOUT
COMPONENT SIDE

NOTE: OPTIONAL MOUNTING HOLE FOR SELF-TAPPING M2 SCREW

CATALOGUE P/N	NUT OPTION
ACJM-LHDRM	NO NUT & WASHER
ACJM-MHDRM	METAL NUT & WASHER INCLUDED

UNLESS OTHERWISE SPECIFIED TOLERANCE TO BE		THIS DOCUMENT IS THE PROPERTY OF AMPHENOL AUSTRALIA PTY. LTD. NO PART THEREOF MAY BE REPRODUCED AND USED WITHOUT THE PRIOR WRITTEN CONSENT OF THE OWNER				0	FIRST ISSUE	M.N.H	11-03-10	----
LINEAR	ANGULAR					REV.	CHANGE DETAILS	BY	DATE	CHG/No
X ± 0.5	X° ± 1°	CAD FILE:	55010661001110	DRN:	M.H	DATE:	11-03-10	TITLE:		
X.X ± 0.2	X°X' ± 30'	MATERIAL: REFER TO COMPONENTS		CKD:	M.N.H	DATE:	11-03-10	1/4" PHONE MONO JACK CUSTOMER DRAWING		
X.XX ± 0.1	X°X'X" ± 15"	DO NOT SCALE		FINISH: REFER TO COMPONENTS	APP'D:	P.M	DATE:	11-03-10	DRAWING No. 55010661-001-2	
DIMENSIONS IN MILLIMETRES		THIRD ANGLE PROJECTION		SCALE:	2:1 UOS	PART No:	REFER TO TABLE	SIZE:	A3	SHEET 2 OF 2

Amphenol
Amphenol Australia Pty.Ltd, 2 Fireways Blvd, Keysborough, Vic3173
DRAWING No. 55010661-001-2