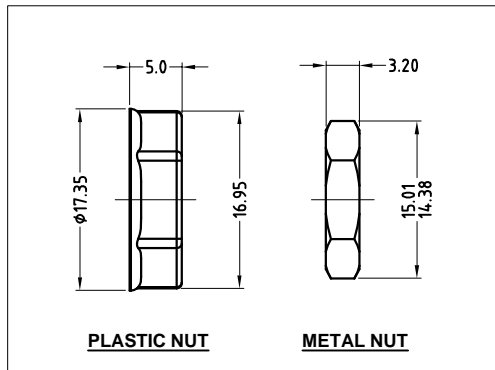
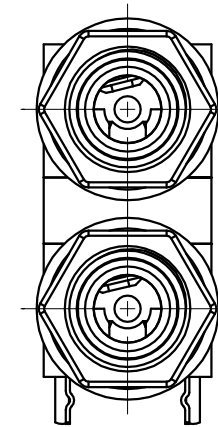
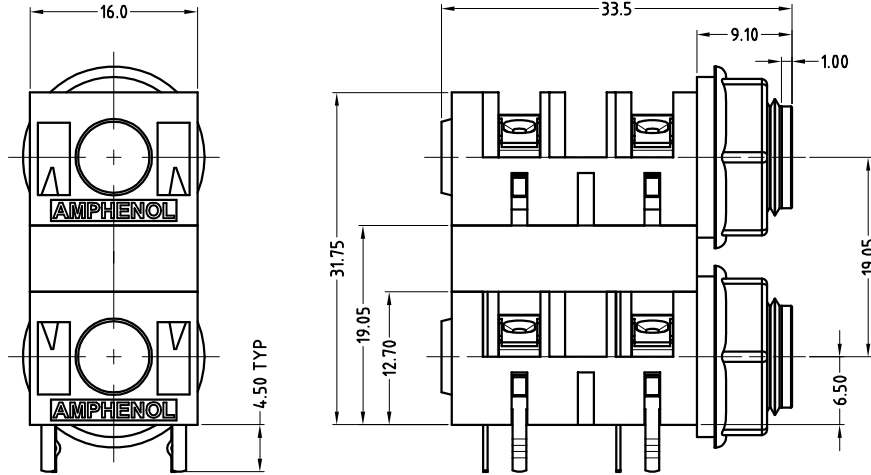
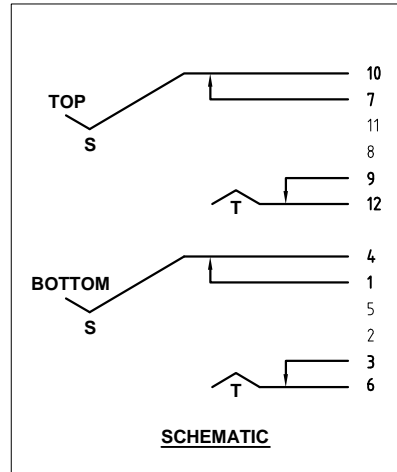


**ISO VIEW**  
SCALE 1:1

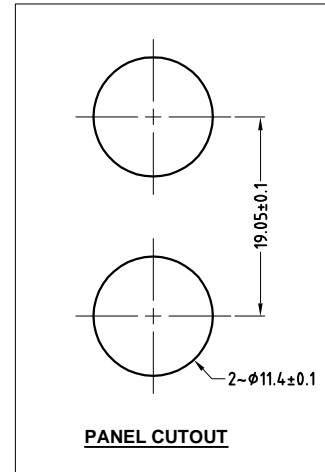


**PLASTIC NUT**

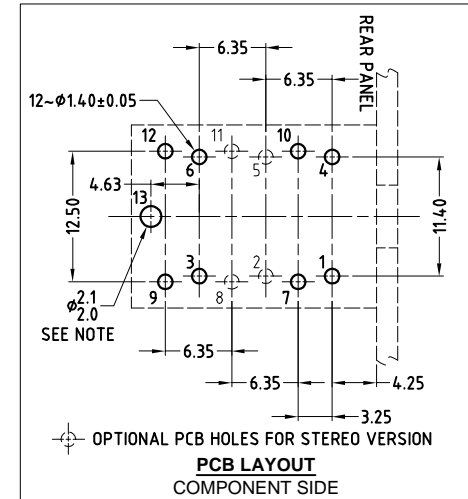
**METAL NUT**



**SCHEMATIC**



**PANEL CUTOUT**



**PCB LAYOUT**  
COMPONENT SIDE

CATALOGUE P/N	ASSEMBLY P/N	NUT OPTIONS
ACJM-PHD	55010155-502	PLASTIC
ACJM-MHD	55010155-302	METAL

**NOTE:** OPTIONAL MOUNTING HOLE FOR SELF-TAPPING M2 SCREW

UNLESS OTHERWISE SPECIFIED TOLERANCE TO BE		THIS DOCUMENT IS THE PROPERTY OF AMPHENOL AUSTRALIA PTY. LTD. NO PART THEREOF MAY BE REPRODUCED AND USED WITHOUT THE PRIOR WRITTEN CONSENT OF THE OWNER	
LINEAR	ANGULAR	CAD FILE: 5501015502222	DRN: L.V
X ± 0.5	X° ± 1°	MATL: REFER TO COMPONENTS	CKD: M.N.H
X.X ± 0.1	X°X' ± 30'	FINISH: REFER TO COMPONENTS	APP'D: P.M
X.XX ± 0.05	X°X'X" ± 15'	DO NOT SCALE	DATE: 18-06-02
BREAK ALL SHARP EDGES AND REMOVE ALL BURRS		DATE: 17-05-06	DATE: 17-05-06
DIMENSIONS IN MILLIMETRES		SCALE: 2:1 UOS	PART No: REFER TO CHART
THIRD ANGLE PROJECTION			SIZE: A3

2	CHANGE PLASTIC NUT P/N: 52170018-531 TO P/N: 52170032-531 & CORRECT SCHEMATIC DIAGRAM	L.V	31-01-05	8333
1	CORRECT PCB LAYOUT UPDATE TO COMPLY WITH MODIFIED COMPONENTS	L.V	17-02-03	8126
0	FIRST ISSUE	L.V	18-06-02	----
REV.	CHANGE DETAILS	BY	DATE	CHG/No
TITLE: 1/4" PHONE MONO DUAL JACK CUSTOMER DRAWING		Amphenol		
DRAWING NO. 55010155-502-2		Amphenol Australia Pty Ltd, 2 Finemays Blvd, Keysborough, Vic 3173		
SHEET 2 OF 2				