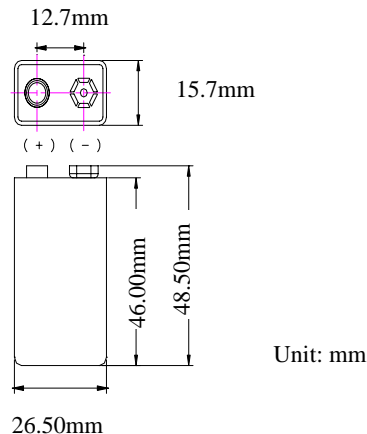
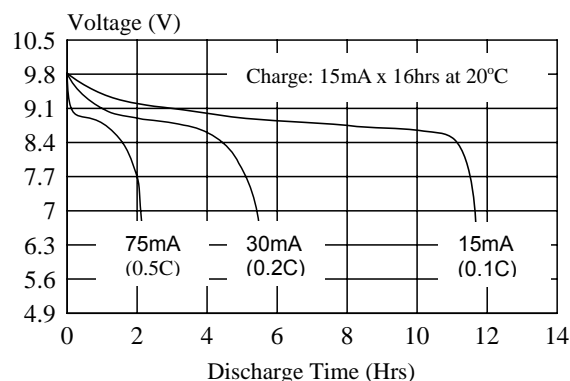


Model No.: GP15R8HB

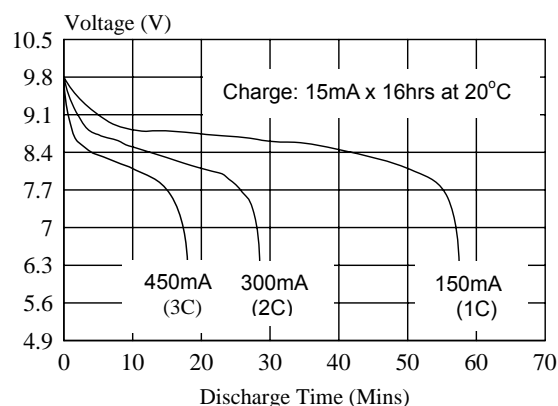
Type	: Rechargeable Nickel Metal Hydride Cylindrical Cell
Nominal Dimension (with Sleeve)	: 15.7mm(l) x 26.5mm(w) x 48.5mm(h)
Applications	: Recommended discharge current 15 to 450mA
Nominal Voltage	: 8.4V
Capacity	: Nominal: 150mAh Minimum: 150mAh Typical: 155mAh When discharged at 30mA to 7.0V at 20°C
Charging Condition	: 80% of nominal capacity after cell storage at 20°C for 6months 75% of nominal capacity after cell storage at 20°C for 12months When discharged at 30mA to 7.0V at 20°C
Fast Charge	: 75mA to 150mA (0.5 to 1C) charge termination control recommended control parameters: -ΔV : 0-5mV **DT/dt : 0.8°C/min (0.5 to 0.9C) 0.8 - 1°C/min (1C) **TCO : 45 - 50°C **Timer : 105% nominal input (for ref. only)
Service Life	: >1000 cycles (IEC standard)
Continuous Overcharge	: 15mA maximum current for 1 year. No conspicuous deformation and/or leakage
Weight	: 32.0g
Internal Resistance	: Maximum 2000mΩ upon fully charged at 1000Hz
Max. Charging Voltage	: 12.0V at 15mA charging
Ambient Temperature Range	: Standard Charge : 0 to 45°C Fast Charging : 10 to 45°C Discharge : -20 to 50°C Storage : -20 to 30°C



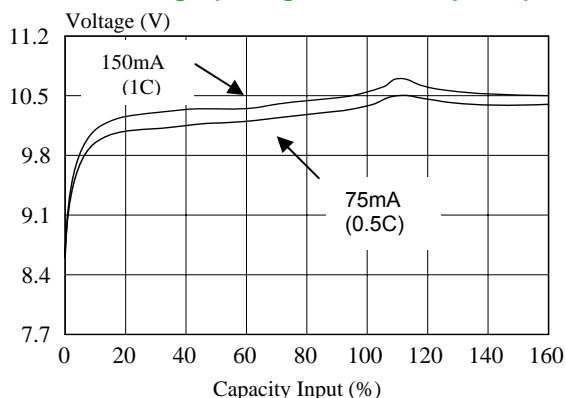
Low Rate Discharge



High Rate Discharge



Fast Charge (Charge control required)



The information (subject to change without prior notice) contained in this document is for reference only and should not be used as a basis for product guarantee or warranty. For applications other than those described here, please consult your nearest GP Sales and Marketing Office or Distributors.