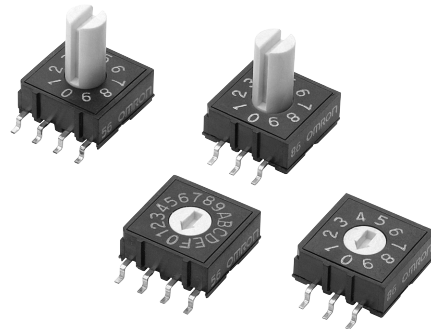


Surface Mounting Rotary DIP Switches

- Flat/Extended-actuator models are available.
- Terminal arrangement of 4 × 1 and 3 × 3 allow high flexibility in the PCB design
- Embossed 100 pcs reel type is recommended for flexible demand.



List of Models

			Type	Top-actuated, Flat					
Number of positions	Terminal arrangement	Output code	Quantity per tube	Tube packaging	Embossed taping				
					Quantity per reel	Quantity per reel	Quantity per reel	100 pcs reel	
10	4 × 1	BCD Decimal	48	A6RS-101RF	750	A6RS-101RF-P	100	A6RS-101RF-R100	
	3 × 3			A6RS-102RF		A6RS-102RF-P		A6RS-102RF-R100	
16	4 × 1	BCD Hexadecimal		A6RS-161RF		A6RS-161RF-P		A6RS-161RF-R100	
	3 × 3			A6RS-162RF		A6RS-162RF-P		A6RS-162RF-R100	

			Type	Top-actuated, Extended-actuator					
Number of positions	Terminal arrangement	Output code	Quantity per tube	Tube packaging	Embossed taping				
					Quantity per reel	Embossed taping	Quantity per reel	100 pcs reel	
10	4 × 1	BCD Decimal	48	A6RS-101RS	250	A6RS-101RS-P	100	A6RS-101RS-R100	
	3 × 3			A6RS-102RS		A6RS-102RS-P		A6RS-102RS-R100	
16	4 × 1	BCD Hexadecimal		A6RS-161RS		A6RS-161RS-P		A6RS-161RS-R100	
	3 × 3			A6RS-162RS		A6RS-162RS-P		A6RS-162RS-R100	

Note: Order in multiples of the package quantity.

■ Ratings/Characteristics

Rating (resistive load)		25 mA at 24 VDC 10 μ A (minimum current) at 3.5 VDC
Ambient operating temperature		-25 to +80°C at 60% max. (with no icing or condensation)
Ambient operating humidity		35% to 95% (at +5 to +35°C)
Insulation resistance		100 M Ω min. (at 250 VDC with insulation tester)
Contact resistance (initial value)		200 m Ω max.
Dielectric strength	Between terminals	250 VAC for 1 min
Vibration resistance	Malfunction	10 to 55 Hz, 1.5-mm double amplitude
Shock resistance	Malfunction	300 m/s ² min.
Durability	Electrical	5,000 steps min.
Washing		Not possible
Degree of protection		IEC IP60
Operating torque		1.96×10^{-2} N·m {2 gf·m} max.
Weight		Flat: Approx. 0.6 g Extended-actuator: Approx. 0.73 g

■ Output Codes

10-position Models

Code Position	BCD Decimal code			
	1	2	4	8
0				
1	●			
2		●		
3	●	●		
4			●	
5	●		●	
6		●	●	
7	●	●	●	
8				●
9	●			●

16-position Models

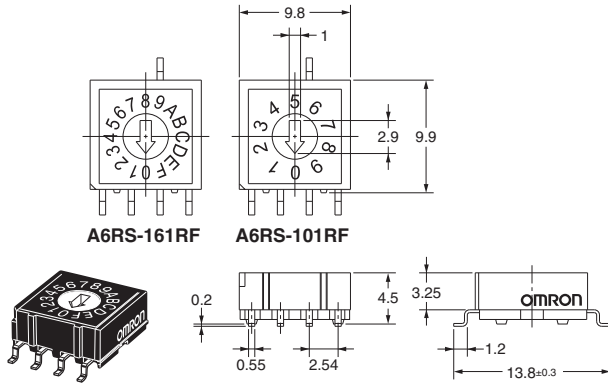
Code Position	BCD Hexadecimal code			
	1	2	4	8
0				
1	●			
2		●		
3	●	●		
4			●	
5	●		●	
6		●	●	
7	●	●	●	
8				●
9	●			●
A		●		●
B	●	●		●
C			●	●
D	●		●	●
E		●	●	●
F	●	●	●	●

Note: "●" indicates that the internal switch is ON.

Dimensions (Unit: mm)

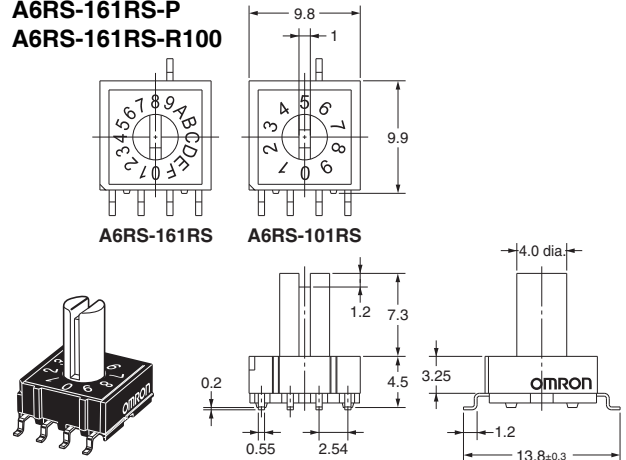
● **Top-actuated Flat Models with 4 × 1 Terminal Arrangement**

- A6RS-101RF
- A6RS-101RF-P
- A6RS-101RF-R100
- A6RS-161RF
- A6RS-161RF-P
- A6RS-161RF-R100



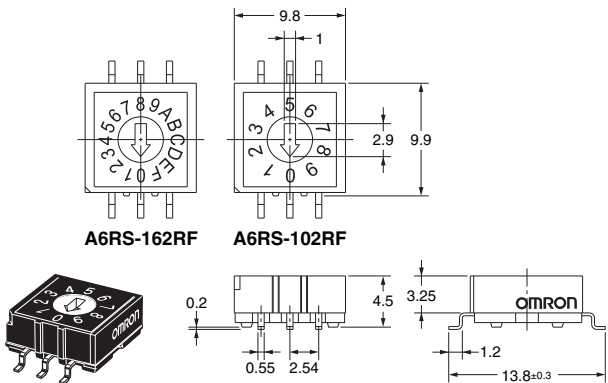
● **Top-actuated Extended-actuator Models with 4 × 1 Terminal Arrangement**

- A6RS-101RS
- A6RS-101RS-P
- A6RS-101RS-R100
- A6RS-161RS
- A6RS-161RS-P
- A6RS-161RS-R100



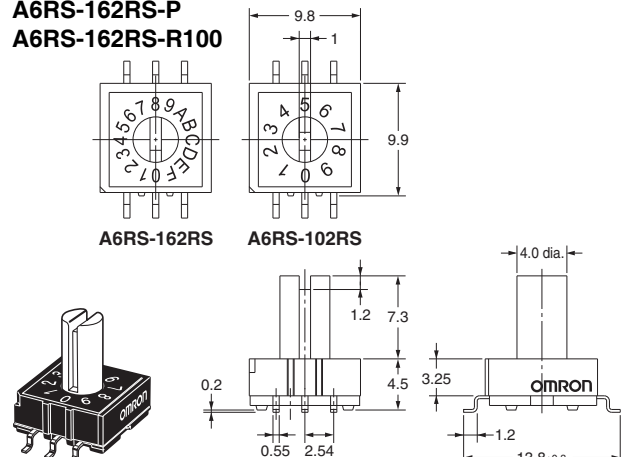
● **Top-actuated Flat Models with 3 × 3 Terminal Arrangement**

- A6RS-102RF
- A6RS-102RF-P
- A6RS-102RF-R100
- A6RS-162RF
- A6RS-162RF-P
- A6RS-162RF-R100



● **Top-actuated Extended-actuator Models with 3 × 3 Terminal Arrangement**

- A6RS-102RS
- A6RS-102RS-P
- A6RS-102RS-R100
- A6RS-162RS
- A6RS-162RS-P
- A6RS-162RS-R100

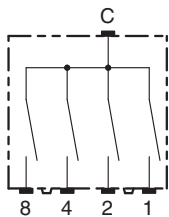


Note: Unless otherwise specified, a tolerance of ±0.4 mm applies to all dimensions.

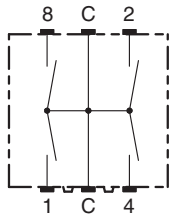
Internal Connections

Contact Form (Top View)

4 × 1 Terminal Arrangement



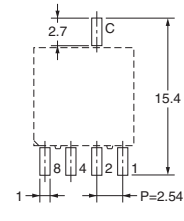
3 × 3 Terminal Arrangement



PCB Dimensions (Reference) (Unit: mm)

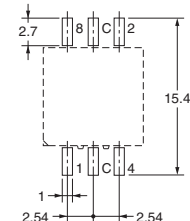
(Top View)

4 × 1 Terminal Arrangement



P: Pole numbers

3 × 3 Terminal Arrangement



Precautions

Be sure to read the Safety precautions common to all DIP Switches for correct use.

Please check each region's Terms & Conditions by region website.

OMRON Corporation

Device & Module Solutions Company

Regional Contact

Americas

<https://components.omron.com/us>

Asia-Pacific

<https://components.omron.com/ap>

Korea

<https://components.omron.com/kr>

Europe

<https://components.omron.com/eu>

China

<https://components.omron.com.cn>

Japan

<https://components.omron.com/jp>