

AC axial fan

straight blades (A series)



ebm-papst Mulfingen GmbH & Co. KG

Bachmühle 2
 74673 Mulfingen
 Phone: +49 7938 81-0
 Fax: +49 7938 81-110
 www.ebmpapst.com
 info1@de.ebmpapst.com

Nominal data

Type	A2E200-AF02-02		
Motor	M2E068-CA		
Phase		1~	1~
Nominal voltage	[V]	230	230
Frequency	[Hz]	50	60
Type of data definition		rfa	rfa
Valid for approval / standard		CE	CE
Speed	[min ⁻¹]	2740	3120
Power input	[W]	50	61
Current draw	[A]	0.24	0.28
Motor capacitor	[μF]	1.5	1.5
Capacitor voltage	[VDB]	400	400
Max. back pressure	[Pa]	200	200
Max. ambient temperature	[°C]	75	75
Air flow	[m ³ /h]	740	830
Back pressure	[Pa]	0	0
Sound pressure level	[dB(A)]	65	69

ml = max. load · me = max. efficiency · rfa = running at free air · cs = customer specs · cu = customer unit
 Subject to alterations

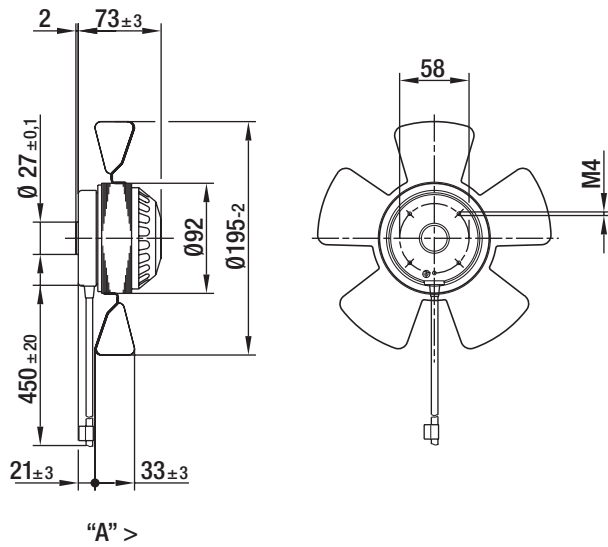
AC axial fan

straight blades (A series)

Technical features

Size	200 mm
Operation mode	Continuous operation (S1)
Direction of air flow	"A"
Insulation class	"B"
Cable exit	Variable
Bearing-motor	Ball bearing
Mass	1.4 kg
Material of impeller	Sheet steel, coated in black
Motor protection	Thermal overload protector (TOP) wired internally
Product conforming to standard	CE
Number of blades	5
Type of protection	IP 44
Protection class	I
Approval	CCC

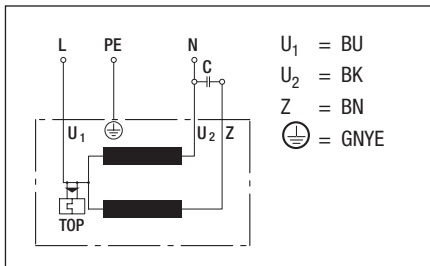
Product drawing



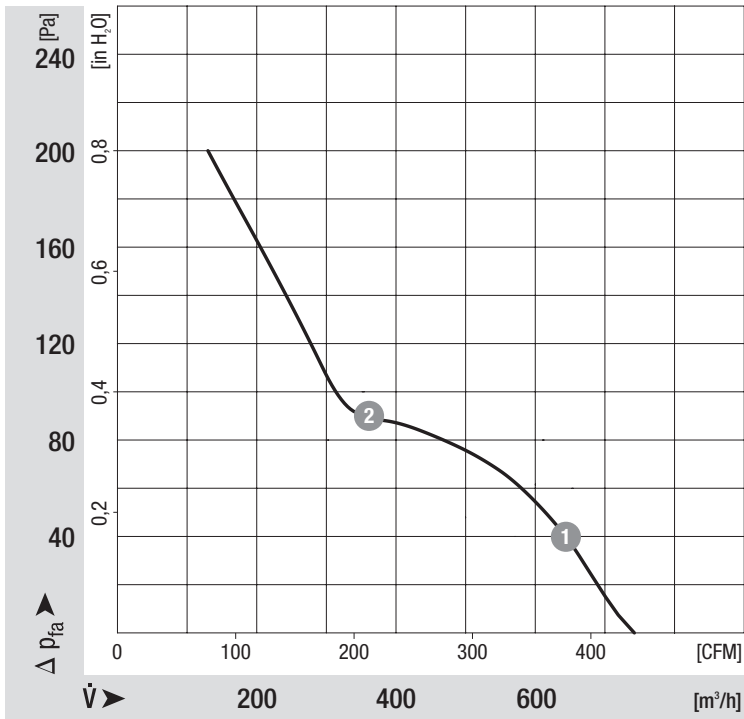
AC axial fan

straight blades (A series)

Connection screen



Charts: Air flow 50 Hz



	n	P ₁	I
	[min ⁻¹]	[W]	[A]
1	2670	51	0.24
2	2670	50	0.24

Charts: Air flow 60 Hz

