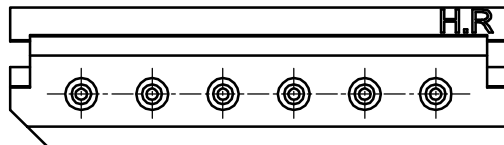
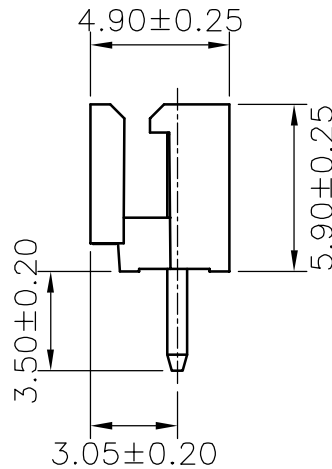
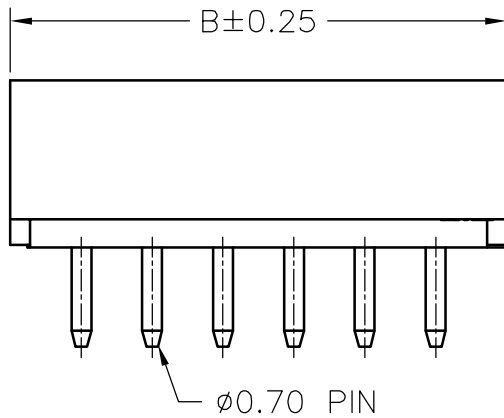
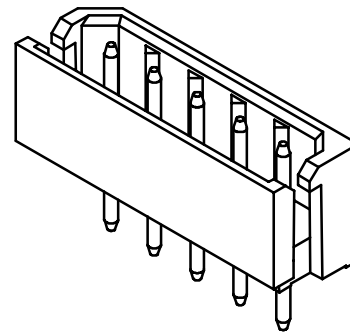


P.C.B LAYOUT



SPECIFICATIONS

Current Rating: 3A AC,DC
 Voltage Rating: 250V AC,DC
 Temperature Range: -25°C ~ +85°C
 Contact Resistance: 20mΩ Max
 Insulation Resistance: 1000MΩ Min
 Withstanding Voltage: 1000V AC/minute
 Pin Material: Brass/Tin-plated
 Material: Nylon 66,UL94V-0
 Pantone Color: 7506C

Ordering Information & Dimensions

PART NO.	Dimensions	
	A	B
A2506WV-02P	2.50	7.50
A2506WV-03P	5.00	10.00
A2506WV-04P	7.50	12.50
A2506WV-05P	10.00	15.00
A2506WV-06P	12.50	17.50
A2506WV-07P	15.00	20.00
A2506WV-08P	17.50	22.50
A2506WV-09P	20.00	25.00
A2506WV-10P	22.50	27.50
A2506WV-11P	25.00	30.00
A2506WV-12P	27.50	32.50
A2506WV-13P	30.00	35.00
A2506WV-14P	32.50	37.50
A2506WV-15P	35.00	40.00
A2506WV-16P	37.50	42.50

UNIT	SCALE	SHEET	TITLE:
mm		1 of 1	2.50mm PITCH 180° WAFER
DRAWN BY	APPROVED BY		
董正一	董正一		
2001.02.01	2001.02.01		
B2	REVISE	2007.08.15	GENERAL TOLERANCE
B1	REVISE	2006.07.05	X. X±0.25
B0	NEW RELEASE	2006.03.23	X. XX±0.15
REV.	DESCRIPTION	DATE	X. XXX±0.05
			DRW NO.: A2506WV-XP
			REV. B2