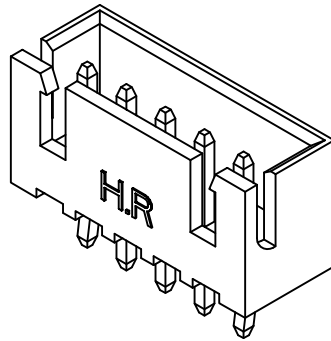


02P



Ordering Information:

A2501WV-XP \*  
1 2

1. Part No.

2. Style:

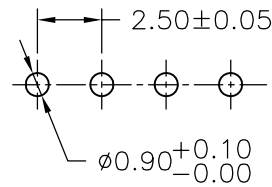
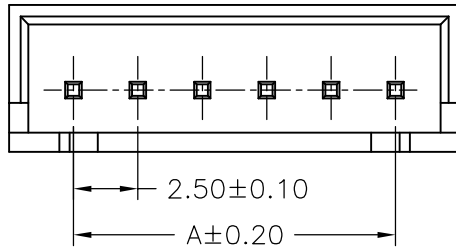
1-Type 1

2-Type 2

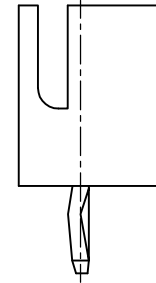
3-Type 3

SPECIFICATIONS

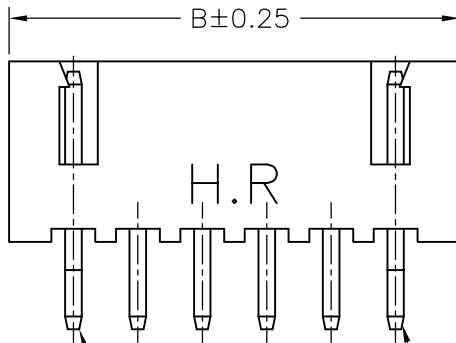
Current Rating: 3A AC,DC  
Voltage Rating: 250V AC,DC  
Temperature Range: -25°C ~ +85°C  
Contact Resistance: 10mΩ Max  
Insulation Resistance: 1000MΩ Min  
Withstanding Voltage: 1000V AC/minute  
Pin Material: Brass/Tin-plated  
Material: Nylon 66,UL94V-0  
Color: Natural(White)



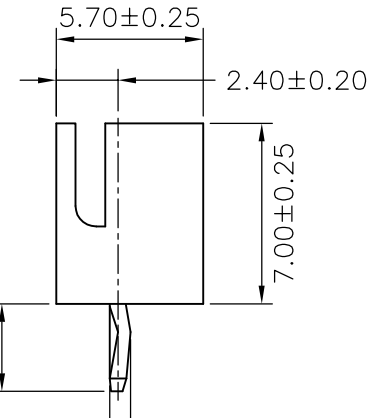
P.C.B LAYOUT



TYPE 2

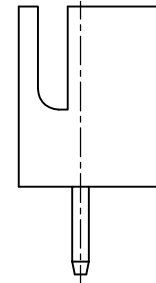


PIN 0.64 SQ



Circuit 1 0.80±0.20

TYPE 1



TYPE 3

Ordering Information & Dimensions

PART NO.	Dimensions	
	A	B
A2501WV-02P	2.50	7.50
A2501WV-03P	5.00	10.00
A2501WV-04P	7.50	12.50
A2501WV-05P	10.00	15.00
A2501WV-06P	12.50	17.50
A2501WV-07P	15.00	20.00
A2501WV-08P	17.50	22.50
A2501WV-09P	20.00	25.00
A2501WV-10P	22.50	27.50
A2501WV-11P	25.00	30.00
A2501WV-12P	27.50	32.50
A2501WV-13P	30.00	35.00
A2501WV-14P	32.50	37.50
A2501WV-15P	35.00	40.00
A2501WV-16P	37.50	42.50
A2501WV-17P	40.00	45.00
A2501WV-18P	42.50	47.50
A2501WV-19P	45.00	50.00
A2501WV-20P	47.50	52.50

UNIT	SCALE	SHEET	TITLE:		
mm		1 of 1	2.50mm PITCH		
DRAWN BY		APPROVED BY			
李勤		董正一			
2006.05.17		2006.05.17			
GENERAL TOLERANCE					
A1	REVISE	2007.03.07	X. X±0.25	ANGLE±	
A0	NEW RELEASE	2006.05.17	X. XX±0.15		
REV.	DESCRIPTION	DATE	X. XXX±0.05		
DRAW NO.:					REV.
A2501WV-XPX					A1