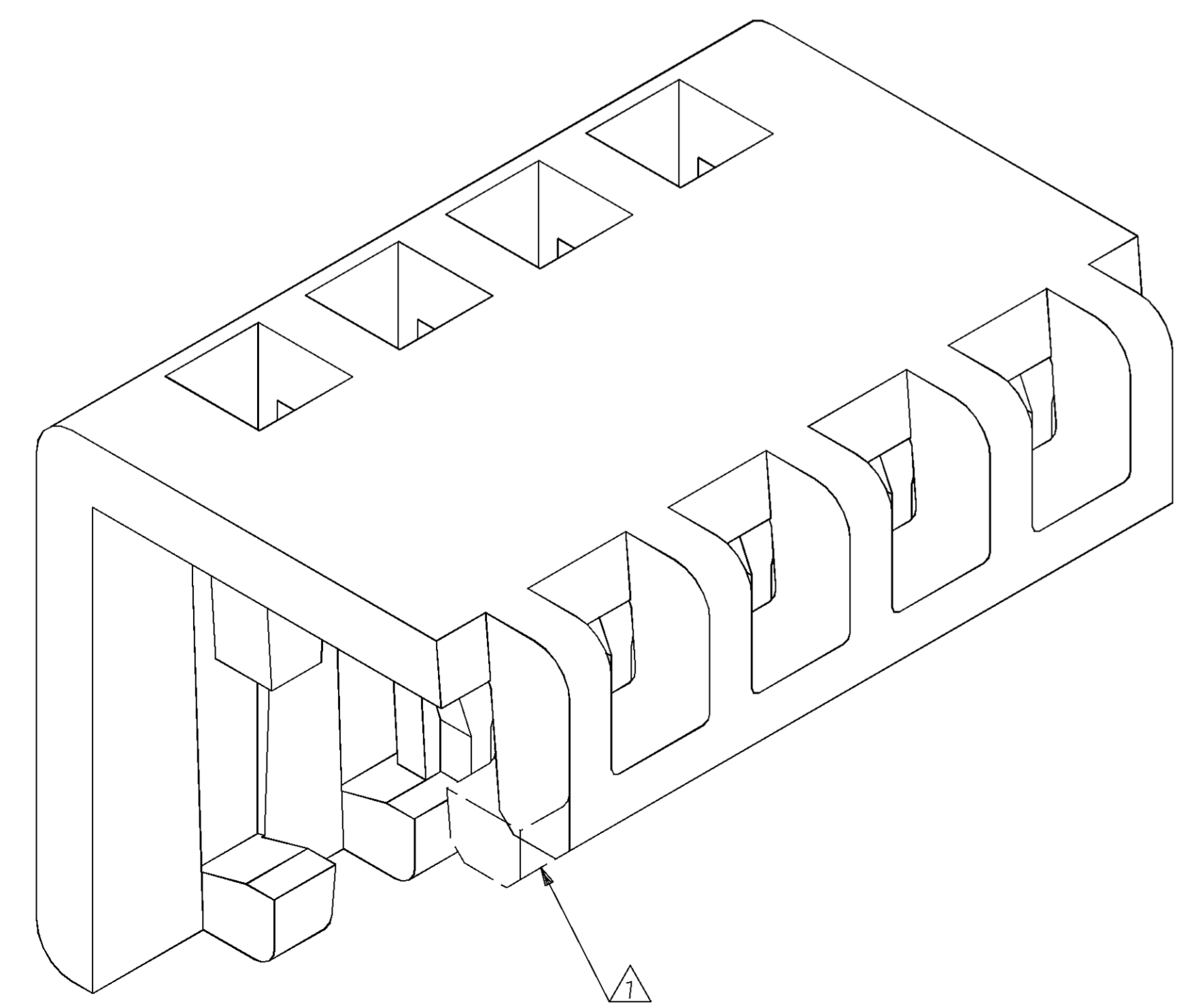
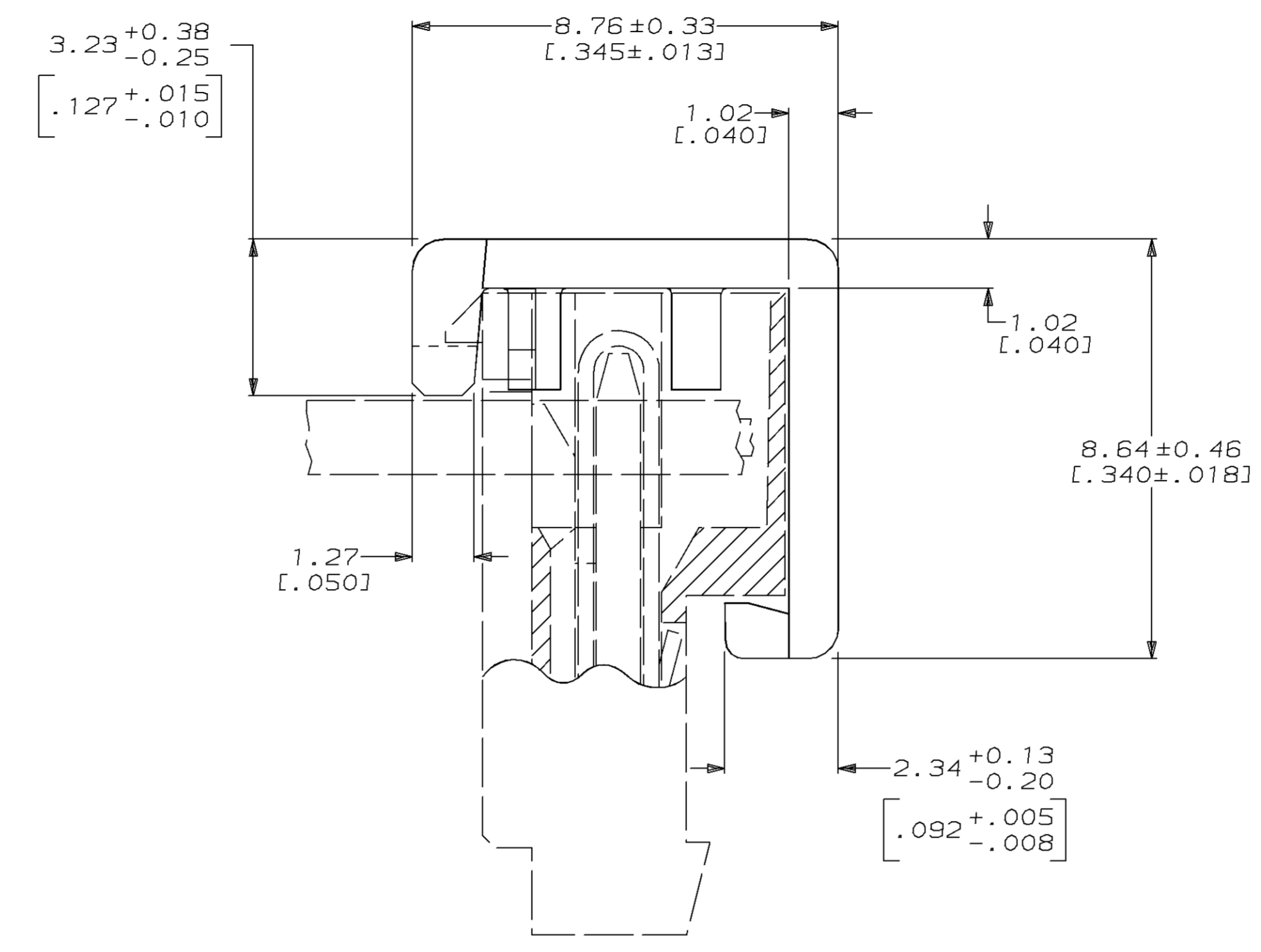
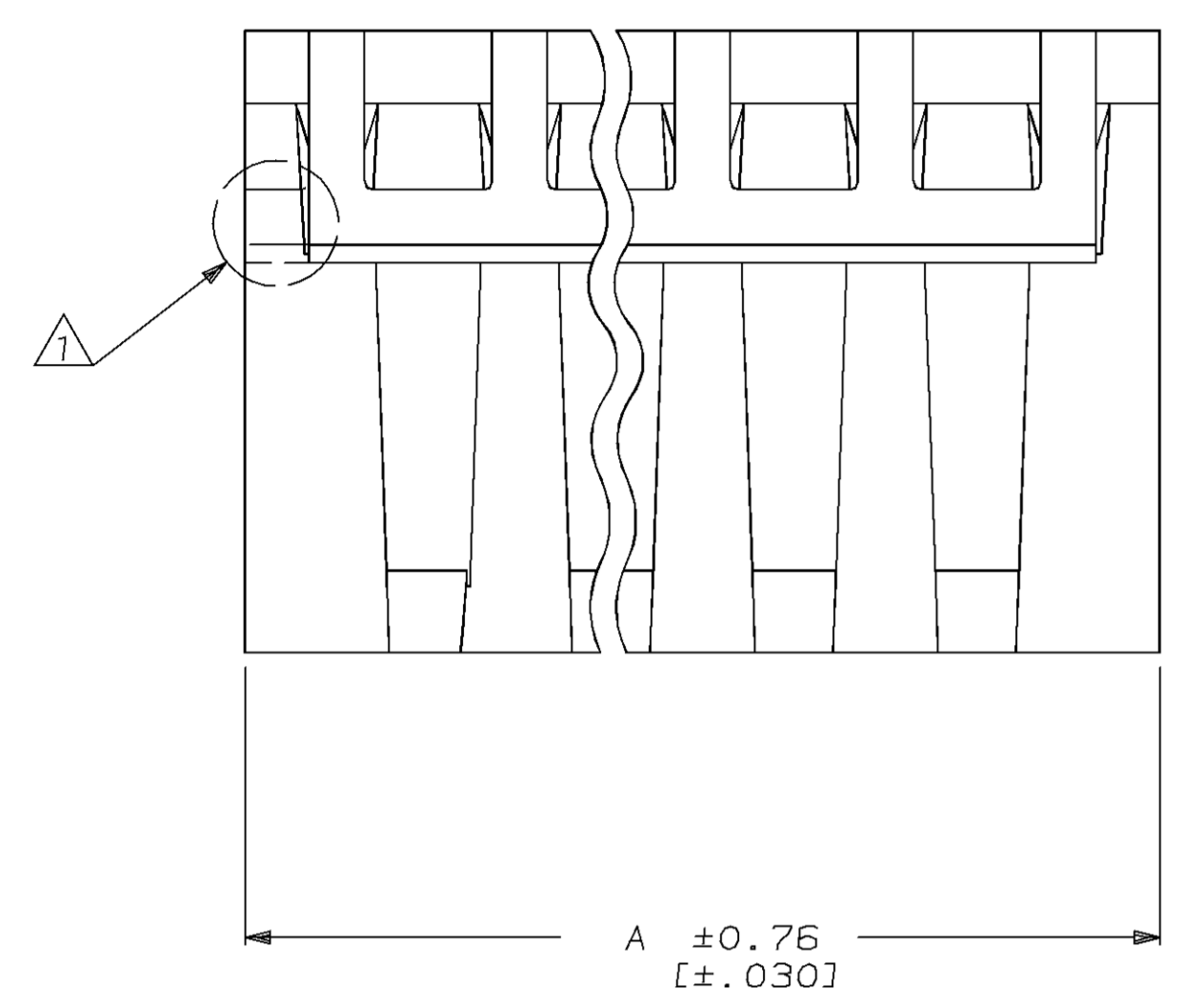


LOC		DIST		P		ZONE		LTR		REVISIONS		
CM	54									DESCRIPTION	DATE	APPD
										G REV PER EC 0730-0219-95	12-11-95	JH RS

- 1. PART MAY BE MOLDED TO DESIRED POSITION SIZE OR CUT TO DESIRED POSITION SIZE FROM A LARGER POSITION SIZE PART. WHEN PART IS CUT TO DESIRED POSITION SIZE, A PORTION OF FRONT LOCKING BAR WILL REMAIN ATTACHED.
- 2. DIMENSIONS IN BRACKETS ARE IN INCHES.
- 3. TWO POSITION (-2) PARTS WILL BE MOLDED ONLY.



3-DIMENSIONAL MODEL  
NTS

28 CIRCUIT ASSEMBLES	71.12 [2.800]	2-643075-8
27 CIRCUIT ASSEMBLES	68.58 [2.700]	2-643075-7
26 CIRCUIT ASSEMBLES	66.04 [2.600]	2-643075-6
25 CIRCUIT ASSEMBLES	63.50 [2.500]	2-643075-5
24 CIRCUIT ASSEMBLES	60.96 [2.400]	2-643075-4
23 CIRCUIT ASSEMBLES	58.42 [2.300]	2-643075-3
22 CIRCUIT ASSEMBLES	55.88 [2.200]	2-643075-2
21 CIRCUIT ASSEMBLES	53.34 [2.100]	2-643075-1
20 CIRCUIT ASSEMBLES	50.80 [2.000]	2-643075-0
19 CIRCUIT ASSEMBLES	48.26 [1.900]	1-643075-9
18 CIRCUIT ASSEMBLES	45.72 [1.800]	1-643075-8
17 CIRCUIT ASSEMBLES	43.18 [1.700]	1-643075-7
16 CIRCUIT ASSEMBLES	40.64 [1.600]	1-643075-6
15 CIRCUIT ASSEMBLES	38.10 [1.500]	1-643075-5
14 CIRCUIT ASSEMBLES	35.56 [1.400]	1-643075-4
13 CIRCUIT ASSEMBLES	33.02 [1.300]	1-643075-3
12 CIRCUIT ASSEMBLES	30.48 [1.200]	1-643075-2
11 CIRCUIT ASSEMBLES	27.94 [1.100]	1-643075-1
10 CIRCUIT ASSEMBLES	25.40 [1.000]	1-643075-0
9 CIRCUIT ASSEMBLES	22.86 [.900]	643075-9
8 CIRCUIT ASSEMBLES	20.32 [.800]	643075-8
7 CIRCUIT ASSEMBLES	17.78 [.700]	643075-7
6 CIRCUIT ASSEMBLES	15.24 [.600]	643075-6
5 CIRCUIT ASSEMBLES	12.70 [.500]	643075-5
4 CIRCUIT ASSEMBLES	10.16 [.400]	643075-4
3 CIRCUIT ASSEMBLES	7.62 [.300]	643075-3
2 CIRCUIT ASSEMBLES	5.08 [.200]	643075-2
USE ON MTA 100 ASSEMBLIES AS LISTED	A	PART NO

DO NOT SCALE PRINT. UNLESS SPECIFIED DIMENSIONS IN mm [INCHES] TOLERANCES ON:		DR		AMP AMP Incorporated Harrisburg, PA 17105-3608	
2 PLC DEC ± -		CHK			
3 PLC DEC ± 0.13 [.005]		APPD		NAME	
ANGLES ± -		APPD		COVER, MOLDED, .060 MAX	
MATERIAL		PRODUCT SPEC		O.D. WIRE, MTA-100	
NYLON, UL 94V-2 WHITE		APPLICATION SPEC		SIZE	CAGE CODE
FINISH		WEIGHT		D	00779
				SCALE	10:1
				DRAWING NO	643075
				SHEET	1 OF 1

