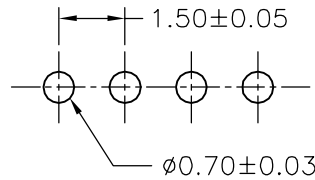
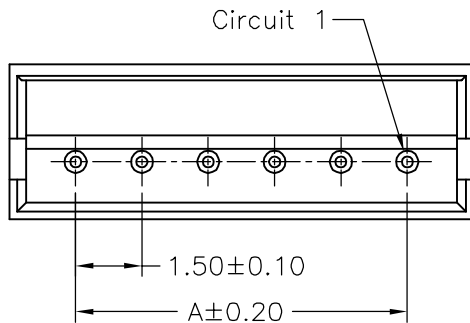


SPECIFICATIONS

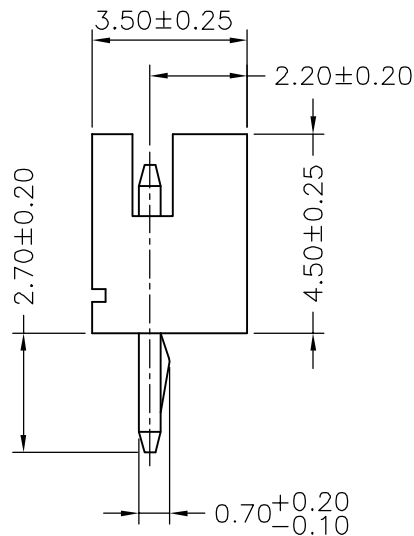
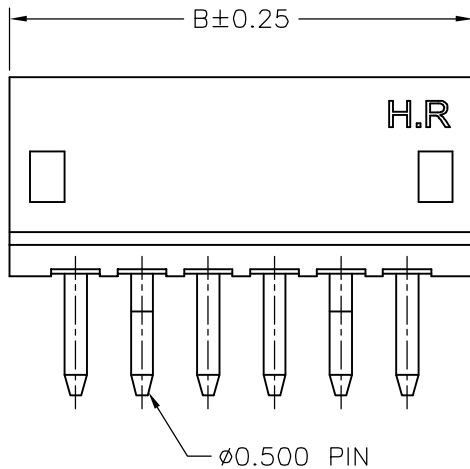
Current Rating: 1A AC,DC
 Voltage Rating: 100V AC,DC
 Temperature Range: -25°C ~ +85°C
 Contact Resistance: 20mΩ Max.
 Insulation Resistance: 500MΩ Min.
 Withstanding Voltage: 500V AC/minute
 Pin Material: Brass/Tin-plated
 Material: Nylon 66,UL94V-0
 Pantone Color: 7528C

Ordering Information & Dimensions

PART NO.	Dimensions	
	A	B
A1500WV-02P	1.50	4.50
A1500WV-03P	3.00	6.00
A1500WV-04P	4.50	7.50
A1500WV-05P	6.00	9.00
A1500WV-06P	7.50	10.50
A1500WV-07P	9.00	12.00
A1500WV-08P	10.50	13.50
A1500WV-09P	12.00	15.00
A1500WV-10P	13.50	16.50
A1500WV-11P	15.00	18.00
A1500WV-12P	16.50	19.50
A1500WV-13P	18.00	21.00
A1500WV-15P	21.00	24.00



P.C.B LAYOUT



					JOINT TECH ELECTRONIC IND. CO., LTD. JOY DAY INDUSTRIAL CO., LTD.	
			UNIT	SCALE	SHEET	TITLE:
			mm		1 of 1	1.50mm PITCH 180° WAFER
B4	REVISE	2008.01.09	DRAWN BY	APPROVED BY		
B3	REVISE	2007.10.16	董正一	董正一		
B2	REVISE	2007.07.21	2001.02.01	2001.02.01		
B1	REVISE	2006.11.29	GENERAL TOLERANCE			
B0	NEW RELEASE	2006.07.07	X.X±0.25	ANGLE±		
REV.	DESCRIPTION	DATE	X.XX±0.15			DRAW NO.:
			X.XXX±0.05			
						REV. B4