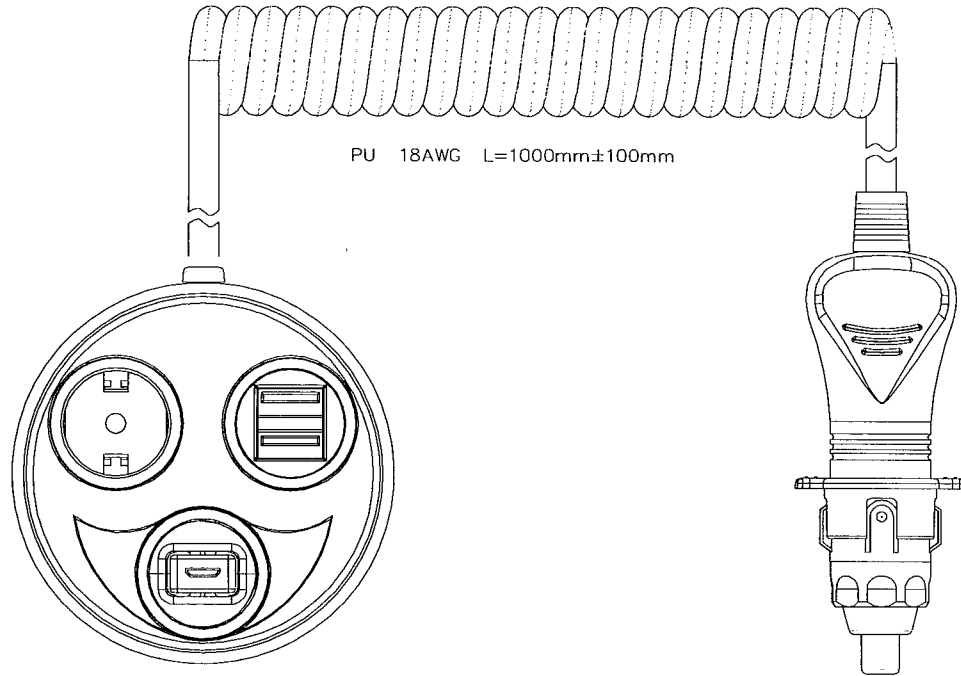


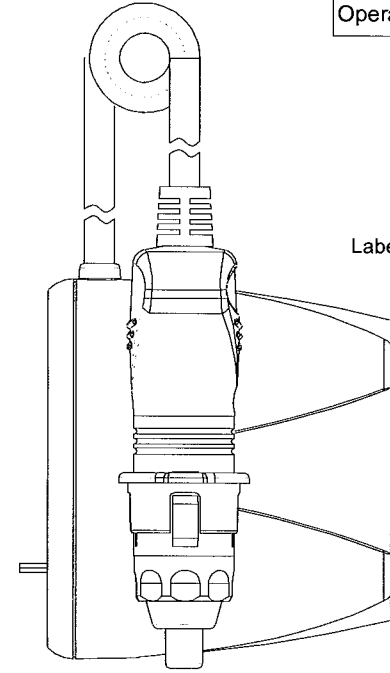
MATERIAL OF SOCKET:
 Cover: Black, ABS (UL flame:94V-HB)
 Bottom: Black, ABS (UL flame:94V-HB)
 Lens: Water clear, PC (UL flame:94V-2) with Blue LED

MATERIAL OF PLUG:
 Housing: Black ,Phenol (UL flame:94V-HB)
 Top contact: nickel plated brass
 Spring contact: nickel plated spring steel

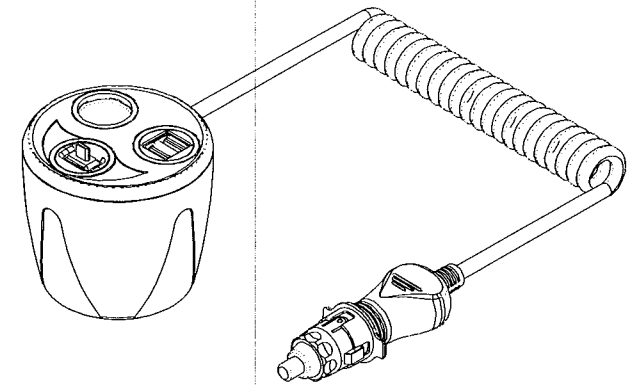
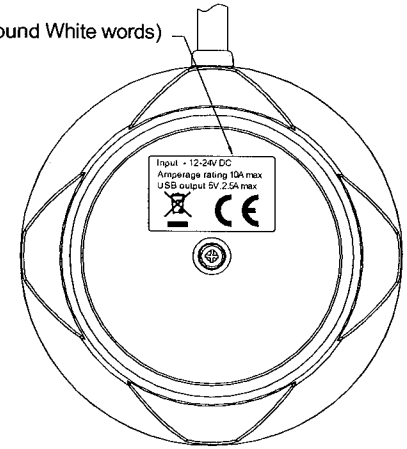
Rating	Input	12-24V DC
	Output	Micro USB - 5V 1A max. Micro USB+Twin-USB - 5V 2.5A max. Total output - 10A max.
Insulation Resistance		DC 500V 100M ohm Min.
Dielectric Strength		AC 1000V 1 minute
Operation Temperature		-20°C~60°C



PU 18AWG L=1000mm±100mm



Label(Black ground White words)



Drawn	Checked	Approved	SCI BOM No.	1251346	Model Name	Triple outlet socket
4/13/15		4/13/15	Customer No.		Model No.	A13-75A193A-W13 Rev.
Date	Name	Description	No.	Unit	mm	Shin Chin Industrial Co., Ltd. 0