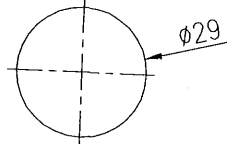
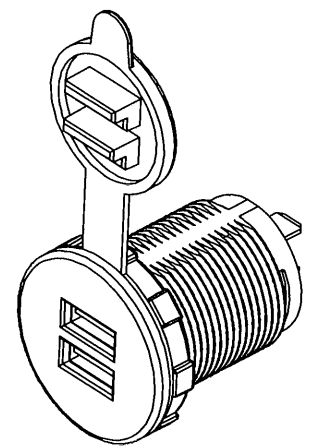
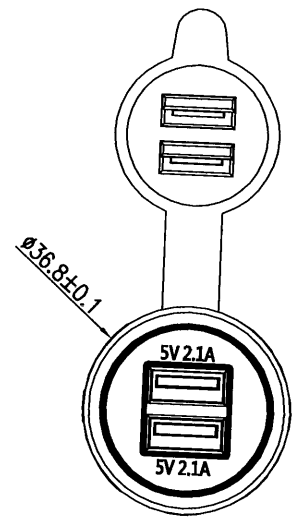
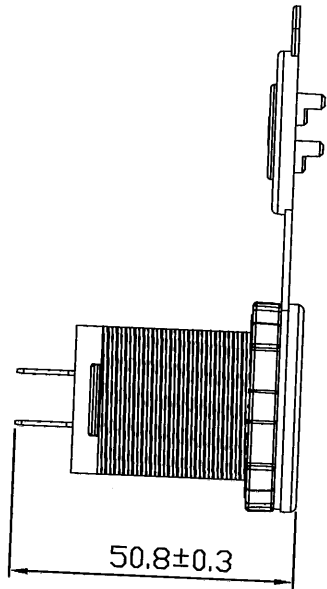
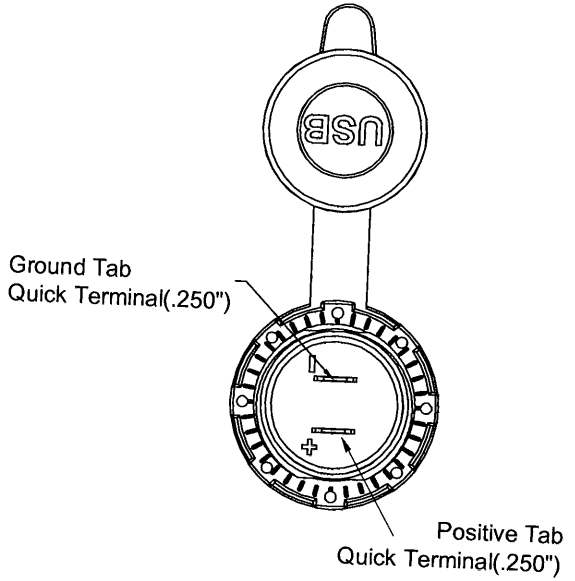
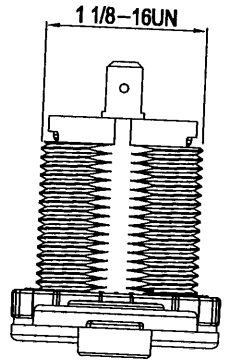


Rating	Input: 12V/24 DC Output: 5V DC 2.1A+2.1A max.	Mounting Hole 
Insulation Resistance	DC 500V 100MΩ Min.	
Dielectric Strength	AC 1500V 1 minute	
Operating Temperature	-0℃~40℃	



原稿  
2017.8.09  
研發部

Blue light

A3

Date	Name	Description	No.	Drawn	Checked	Approved	SCI BOM No.	Model Name	USB sockets
							Customer No.	Model No.	A13-230AU-BB3
							Unit	mm	Rev.