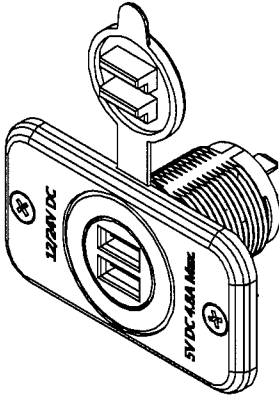
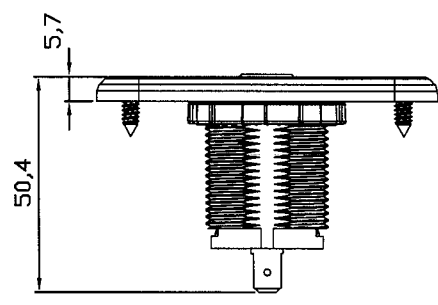
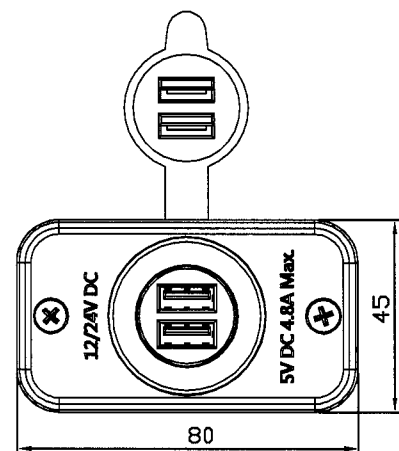
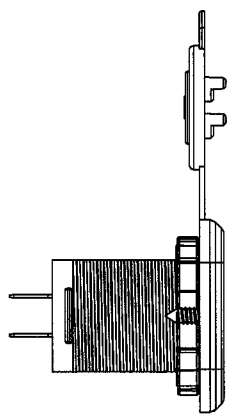
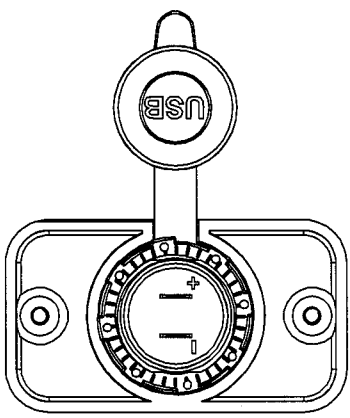


Rating	Input:12-24V DC Output:5V DC 2.4A +2.4A max.
Insulation Resistance	DC 500V 100M ohm Min.
Dielectric Strength	AC 1500V 1 minute
Operation Temperature	-20°C~40°C



Screw in Bulk
ø4*14*2 PCS



原稿
2016.12.20
研發部

								△
								△
Date	Name	Description						NO
Drawn	Checked	Approved	SCI BOM No.		Model Name	POWER SOCKET		
			Customer No.		Model No.	A13-226194B2-BB3	REV.	
		12/20/16	Unit	mm	SHIN CHIN INDUSTRIAL CO., LTD.			0