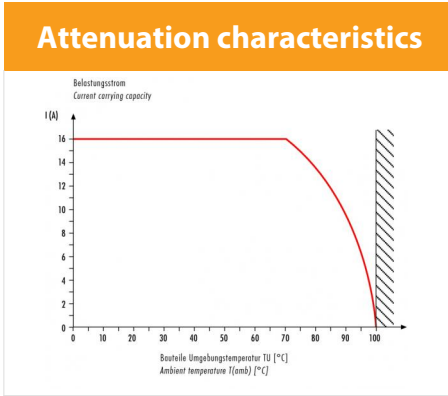
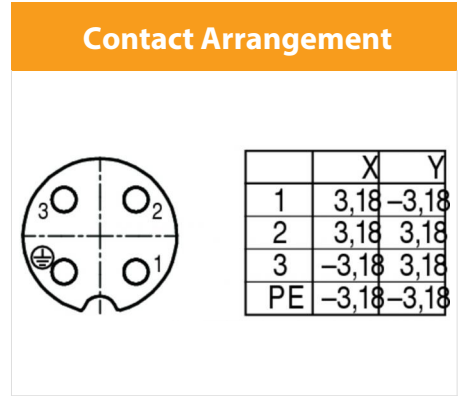
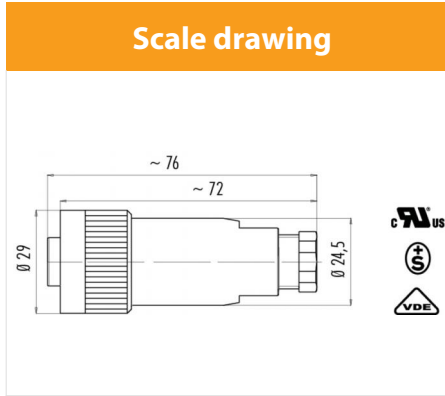


Product **Polzahl: 3+PE, Kabeldose mit Kabelzugentlastung, PG 9, mit VDE, SEV, UL Zulassung, schrauben**
 Area **RD24 Power Series 692/693**
 Article number **99 4222 00 04**



You can find the item description on the next page.

Technical data

General features

Connector Design	Cable socket
Connector locking system	bolted
Termination	screw
Wire gauge (mm)	0,5-2,5 mm ²
Wire gauge (AWG)	-
Cable outlet	6 - 9,5 mm
Upper temperature	100 °C
Lower temperature	-40 °C

Cable data

Approval 1	UL
Approval 2	ESTI+
Approval 3	VDE

Electrical parameters

Rated voltage	600 V
Rated impulse voltage	6000 V
Pollution degree	3
Overvoltage category	III
Material group	III
Rated current (40°C)	16 A (12 A UL)
Volume resistivity	≤ 5 mΩ
EMV compliance	not shielded
Degree of protection	IP67
Mechanical operation	> 50 Mating cycles

Material

Material of contact	CuSn (Bronze), CuZn (Messing)
Contact plating	Ag (silver)
Material of contact body	PBT (UL 94 V-0)

Product **Polzahl: 3+PE, Kabeldose mit Kabelzugentlastung, PG 9, mit VDE, SEV, UL Zulassung, schrauben**

Area **RD24 Power Series 692/693**
Article number **99 4222 00 04**

Item description

