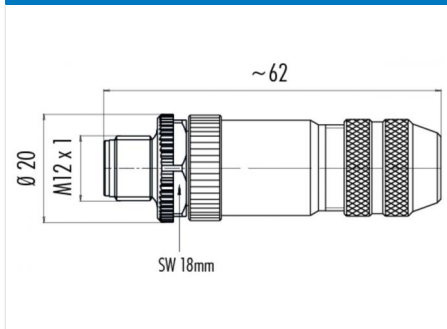


Product description	Polzahl: 8, Kabeldurchlass: 6-8 mm, Kabelstecker schirmbar, Schraubklemmanschluss, Schirmringversion, mit Druckgussgewinding, mit UL-Zulassung
Area	M12-A Series 713
Order number	99 1487 812 08

Illustration



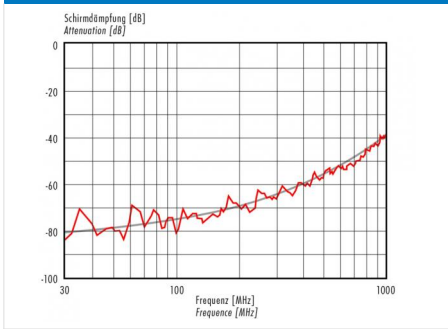
Scale drawing



Contact arrangement

	X	Y
1	2,69	0,57
2	0,57	2,69
3	-1,66	2,20
4	-2,75	0,19
5	-1,94	-1,94
6	0,19	-2,74
7	2,20	-1,65
8	0,00	0,00

Attenuation characteristics



You can find the component part drawing and assembly instructions on the next page.

Technical data

General values

Connector design	Cable Connector
Connector locking system	bolted
Termination	screw clamp
Wire gauge (mm)	0,50 mm ²
Wire gauge (AWG)	20
Cable outlet	6 – 8 mm
Upper limit temperature	85 °C
Lower limit temperature	-40 °C

Cable data

Approval 1	UL
------------	----

Electrical values

Rated voltage	30 V
Rated impulse voltage	800 V
Pollution degree	3
Overvoltage category	II
Insulating material group	III
Rated current (40 °C)	1,5A (2A UL)
Volume resistivity	≤ 3 mΩ
EMC compliance	shieldable
Degree of protection	IP67
Mechanical operation	> 100 Mating cycles

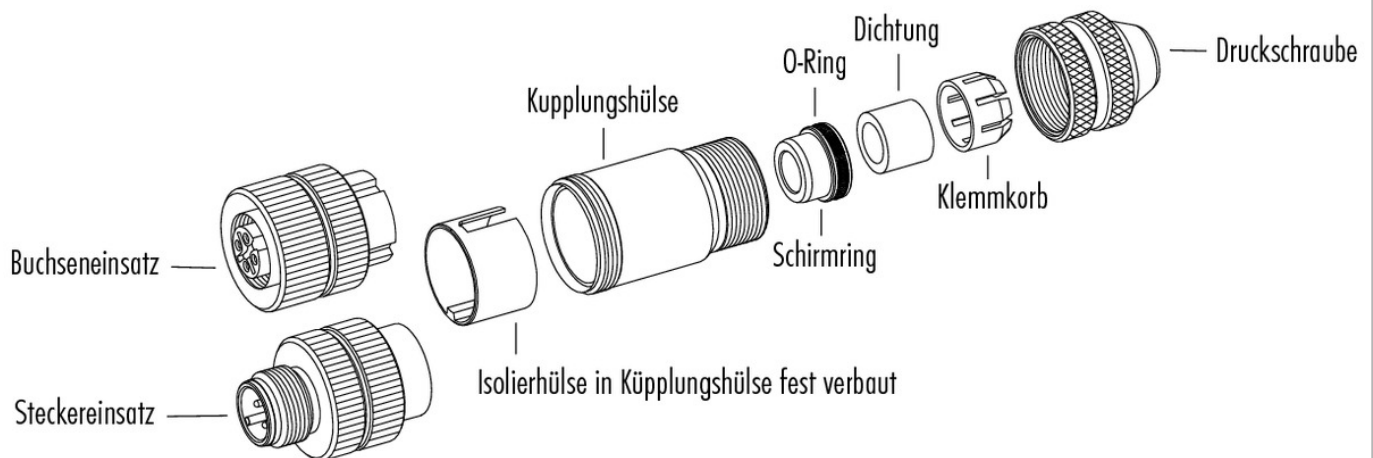
Material

Contact material	CuZn (Messing)
Contact plating	Au (gold)
Contact body material	PA
Housing material	Zink Druckguss vernickelt

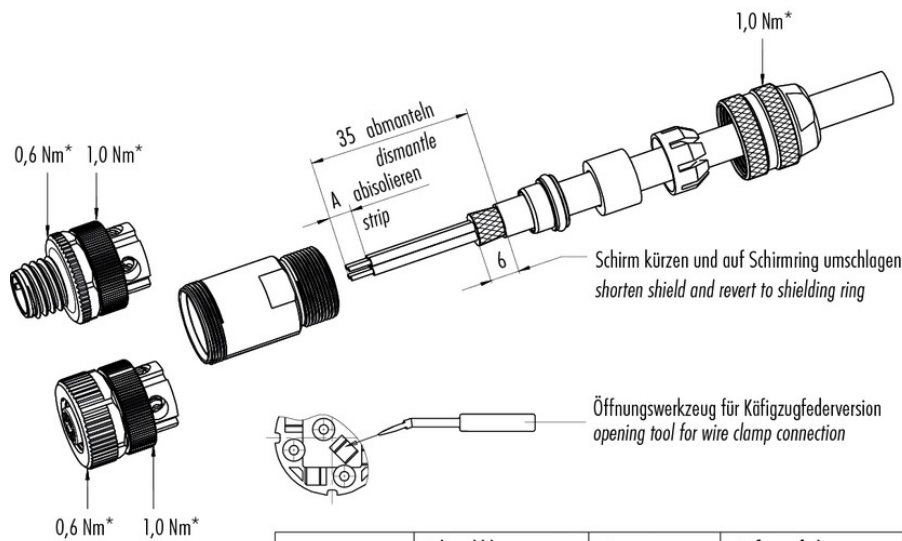
Product description **Polzahl: 8, Kabeldurchlass: 6-8 mm, Kabelstecker schirmbar, Schraubklemmanschluss, Schirmringversion, mit Druckgussgewinding, mit UL-Zulassung**

Area **M12-A Series 713**
Order number **99 1487 812 08**

Component part drawing



Assembly instructions / Panel cut-out



1. Teile auffädeln.
2. Abisolieren, Schirm kürzen und auf Schirmring umschlagen.
3. Litzen durch Gehäuse fädeln, Schirmring, Dichttring, Klemmkorb montieren. Druckschraube andrehen, um das Kabel zu fixieren. Litzen anschrauben.
4. Gehäuse mit Stecker- bzw. Buchseneinsatz verschrauben und Druckschraube festdrehen.

1. Bead parts.
2. Strip single cores, shorten shielding braid and revert to shielding ring.
3. Thread single wires through housing, mount shielding ring, seal and pinch ring. Turn on pressing screw to fix the cable. Screw on single wires.
4. Screw housing to male or female contact insert and fix pressing screw.

* Empfohlenes Anzugsdrehmoment
Recommended tightening moment

	Schraubklemmversion screw connection	Lötversion solder version	Käfigzugfederversion wire clamp connection
Maß A/mm measure A/mm	4	3,5	7

Product description	Polzahl: 8, Kabeldurchlass: 6-8 mm, Kabelstecker schirmbar, Schraubklemmanschluss, Schirmringversion, mit Druckgussgewinding, mit UL-Zulassung
Area	M12-A Series 713
Order number	99 1487 812 08

Sicherheitshinweise

2. The connectors are designed for use in plant, control system and electrical equipment. The end user is responsible for checking whether the connectors are suitable for use in other applications.
6. Connectors with degree of protection IP 67 and IP 68 are not suitable for use under water. When used outdoors, the connectors must be separately protected against corrosion. For further information about IP degrees of protection refer to 'Technical support' in the Download Centre.
8. To lock the cable connector to the equipment connector, the threaded ring is tightened until it is 'finger-tight' (approx. 50 cNm).