

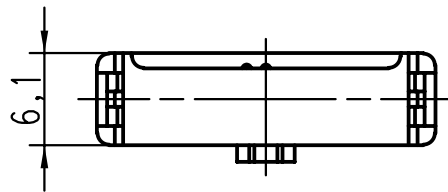
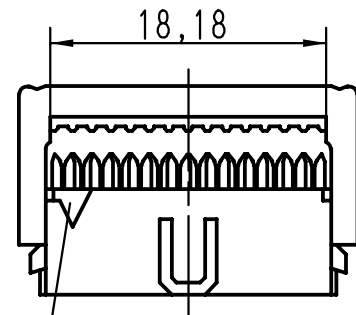
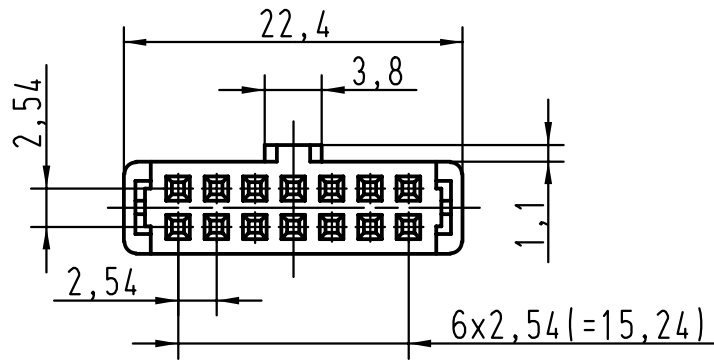
5

4

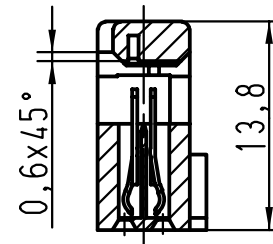
3

2

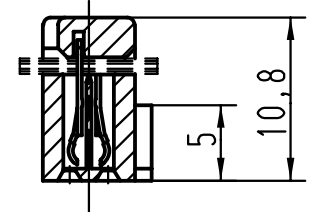
1



vorverrastet  
pre assembled



verrastet  
fitted  
assemble



- 1) Markierung erster Kontakt, Ader 1 des Flachkabels
- 1) Contact no.1, 1st contact wire of flat cable
- 1) Contact no.1, repère 1 du câble

		All Dimensions in mm Original Size DIN A 4			Techn. Character.			Nicht tolerierte Masse/ Free size tolerances	
							Massstab/Scale  <b>2:1</b>	SEK 18 Female Connector 14 poles with central polarisation cover without cable stop	
09185145803		0,76 $\mu\text{m}$ Au			Detail. 01-FEB-00 Th				
09185146803		2			Insp. 01-FEB-00 JMV				
09185147803		3			Stand.				
Bestell-Nr. Part-No. Reference		Anforderungsstufe performance level Niveau de qualite			26570 01-FEB-00 JB		HARTING EURL F-95972 Paris		TB 0918514X803 Sub.
					Mod. Dat. Name				
									Blatt/ page 1/1