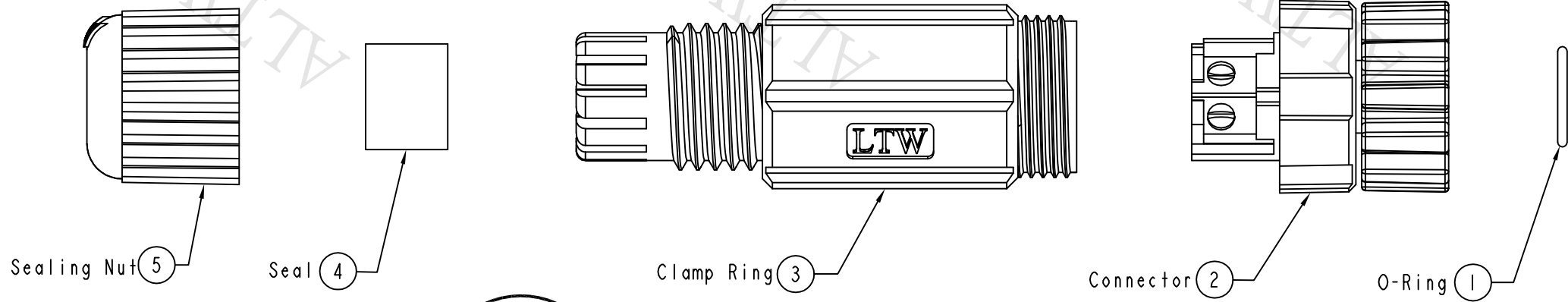


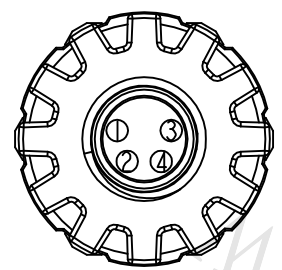
REV.	ECN NO.	DATE	SIGN	DESCRIPTION
A	Initial Release	2007/11/12	Jason	Change Rev. 02 To A
B	LEN1480614	2014/08/12	Rita	Update Logo



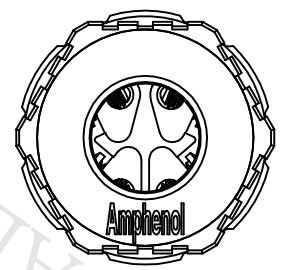
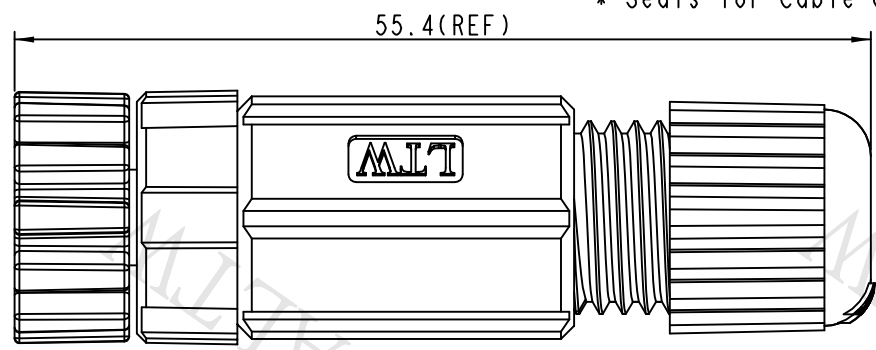
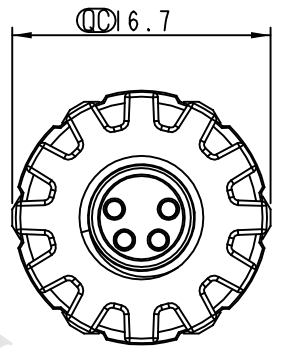
ALTW
CONFIDENTIAL
2014-08-12
R&D DEPT.

ALTW
DCC. DEPT.
CONFIDENTIAL
2014.09.01
ISSUED

- Notes:
- * \varnothing Important Dimension.
 - * Waterproof Rate: IP67
 - * Housing: Black, Nylon+GF
 - * Female Pin: Copper Alloy, Gold Plated
 - * Nut: Black, Nylon+GF
 - * Seal: Black, EPDM
 - * O-Ring: Green, Viton
 - * Seals for Cable OD: \varnothing 4.5mm- \varnothing 6.5mm



Pin Assignments
Front View



Δ

UNIT: mm		TITLE M8P Conn Assy Screw 4Pin F Conn F Pin			Amphenol LTW 安費諾亮泰企業股份有限公司	ITEM NO 8P-04BFFB-SL7001	DRAWN BY Rita	DATE 2014-08-12
		SCALE 2:1	SIZE A4	SHEET 1 OF 1		DWG NO 8P-04BFFB-SL7001	CHECKED BY Kris	DATE 2014-08-12
TOLERANCE .X ±0.25 .XX ±0.1 .XXX ±0.05 ANGLES ±1°		REV. B	WC-REV. A.3	\varnothing : Inspection item	CUSTOMER ALTW	APPROVED BY Wenmao	DATE 2014-08-12	

THIS DOCUMENT IS SUBJECT TO CHANGE WITHOUT NOTICE. IT IS CONFIDENTIAL AND A PROPERTY OF Amphenol LTW. DISCLOSURE TO THIRD PARTY HAS TO BE AUTHORIZED BY Amphenol LTW.