

Traffic Lights - 890/895/897/894

Your benefits

Signal lights and traffic lights from the 890/895/897/494 range provide reliable signalling, both as single lights or as combined signalling lights.

Modular traffic lights 890 and multi-tone sounder 190:

- Cost-effective LED traffic light with clear lenses
- Easy installation in just a few steps and with any combination of 4 lights

Multi-colour variant 890 (RGY):

- Drastic reduction in number of variants by combining three light colours in a single product – Ideal where space is restricted
- Additional high-output audible signalling of up to 110 dB(A) available in combination with multi-tone sounder/vocal alarm 190

Compact LED traffic light 894 for extreme ambient conditions:

- With high IP65/IP69K protection rating for use in extremely harsh conditions

Typical applications

- Garages and car parks
- Access control or buildings
- Traffic regulation on construction sites
- Signalling for loading bays
- Car washes/washing areas

Installation options

Modular traffic light 890:

- Direct mounting or bracket mounting of up to 4 lights with fixing bracket

Compact LED traffic light 894:

- Wall mounting and tube mounting with additional adapter

Features

190 Vocal Alarm:

- The vocal alarm enables the high-output playback of spoken messages, music and tones provided in mp3 format



Size comparison Midi/Traffic Lights





LED Permanent Beacon

LED Traffic Light Combination
with mounting bracket
(accessory)Clear lenses ensure effective
signalling even in direct sunlight

890 LED Beacon/LED Traffic Light

① TECHNICAL SPECIFICATIONS/ORDER SPECIFICATIONS:

Dimensions (Ø x Height):	150 mm x 154 mm
Housing:	PC/ABS-Blend, grey
Lens:	PC, transparent
Fixing:	Base mounting, bracket mounting (accessory), tube mounting (accessory)
Cable entry:	From top or bottom with cable gland M20 x 1.5 mm or from the back with rubber grommet Ø 6-12 mm, included in assembly.
Colours:	Red, green, yellow
Connection:	CAGE CLAMP® 0.5 - 1.5 mm ²
Installation position:	As required
Life duration:	Up to 50,000 hrs

LED Beacon/LED Traffic Light

Voltage:	12-24 V DC	115-230 V AC
Current consumption:	< 260 mA	< 35 mA
red	890 120 55	890 120 68
green	890 220 55	890 220 68
yellow	890 320 55	890 320 68

LED Permanent Light (RGY)

Voltage:	12-24 V DC	230 V AC
Current consumption:	< 220 mA	< 40 mA
RGY (red, green, yellow)	890 480 55	890 480 68

✂ ACCESSORIES:

FIXING BRACKET

Fixing bracket for one beacon	975 890 33
Fixing bracket for two beacons	975 890 34
Fixing bracket for three beacons	975 890 35
Fixing bracket for four beacons	975 890 37

Mounting material and connecting grommet included in assembly.
Further information can be found on page 144.

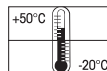
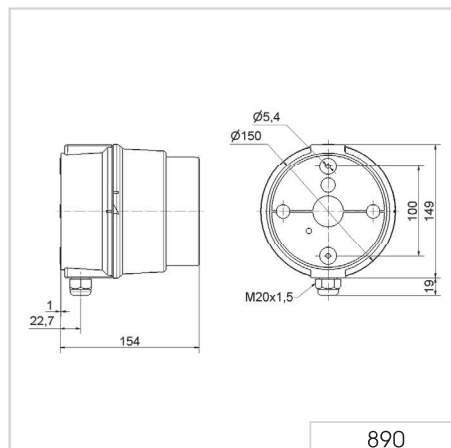
CONNECTING GROMMET

Connecting grommet for traffic light combinations	975 890 25
---	-------------------

! ADDITIONAL INFORMATION:

Traffic light configurator at www.werma.com

↔ TECHNICAL DIAGRAM:



890/190 (LED) Beacon 890/Multi-Tone Sounder 190/Vocal alarm 190 Combination



High-output traffic light combination



Vocal alarm 190

① TECHNICAL SPECIFICATIONS/ORDER SPECIFICATIONS:

(LED-)Beacon/Sounder 190/Vocal Alarm 190

Dimensions (Ø x Height):	150 mm x 154 mm (890) 150 mm x 127 mm (190) 150 mm x 148 mm (Vocal Alarm 190)
Housing:	PC/ABS-Blend, grey
Lens:	PC, transparent
Fixing:	Base mounting, fixing bracket (accessory)
Cable entry:	From top or bottom with cable gland M20 x 1.5 mm or from the back with rubber grommet Ø 6-12 mm, included in assembly
Connection:	CAGE CLAMP® 0.5 - 1.5 mm ²

Vocal Alarm 190

Sound output:	Adjustable, up to 110 dB
File Transfer:	Via USB connection and provided software
Possible data format:	mp3 and wav files
Number of sequences:	15 files can be remotely triggered or one sequence with max. 50 files
Suitable for:	Windows®, System requirements - see Handbook
Assembly:	Vocal alarm, USB connection cable and software

Multi-Tone Sounder 190

Voltage:	10-30 V DC	115 V AC	230 V AC
Current consumption:	< 180 mA	< 55 mA	< 30 mA
grey	190 000 55	190 000 67	190 000 68

Vocal Alarm 190

Voltage:	24 V DC
Current consumption:	< 500 mA Low Power < 1500 mA High Power
grey	190 020 55

LED Beacon 890 see page 140

Permanent Beacon 890 see page 143

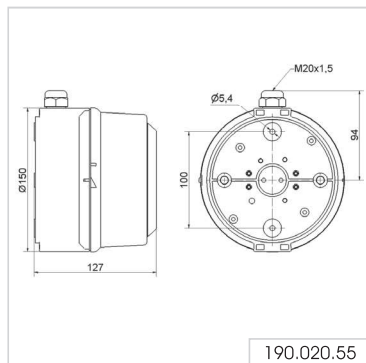
✂ ACCESSORIES:

Fixing bracket, tube adaptor and connecting grommet see page 144

🎵 TONE TYPES AND FREQUENCIES:

Selectable via DIP switch, see tone table on page 180.

↔ TECHNICAL DIAGRAM:





895 Permanent Beacon

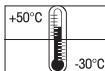
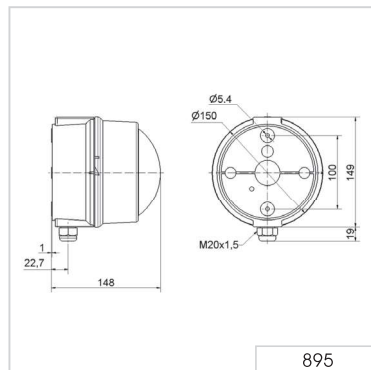
① TECHNICAL SPECIFICATIONS/ORDER SPECIFICATIONS:

Dimensions (Ø x Height):	150 mm x 148 mm
Housing:	PC/ABS-Blend, grey
Lens:	PC, transparent
Socket:	E27 max. 25 W with adhesive stickers E27 max. 15 W
Fixing:	Base mounting, tube mounting and fixing bracket (accessory)
Connection:	Screwed cable gland 0.5 - 1.5 mm ²
Cable entry:	From top or bottom with cable gland M20 x 1.5 mm or from the back with rubber grommet Ø 6-12 mm
Voltage:	12-230 V AC/DC
red	895 100 00
green	895 200 00
yellow	895 300 00
clear	895 400 00
blue	895 500 00
Bulb not included in assembly.	

✂ ACCESSORIES:

Fixing bracket, additional reflector, Bulbs and LED Bulbs, Adhesive Stickers see Permanent/Traffic Light Beacon (page 144).

← TECHNICAL DIAGRAM:



890 Permanent/Traffic Light



Permanent Beacon



Traffic Light Combination
with mounting bracket
(accessory)

① TECHNICAL SPECIFICATIONS/ORDER SPECIFICATIONS:

Dimensions (Ø x Height):	150 mm x 154 mm
Housing:	PC/ABS-Blend, grey
Lens:	PC, transparent
Socket:	E27 max. 25 W for 890 X00 00 with adhesive stickers E27 max. 15 W
Fixing:	Base mounting, fixing bracket (accessory), tube mounting (accessory)
Connection:	Screwed cable gland 0.5 - 1.5 mm ²
Cable entry:	From top or bottom with cable gland M20 x 1.5 mm or from the back with rubber

PERMANENT BEACON

Voltage:	12-230 V AC/DC
red	890 100 00
green	890 200 00
yellow	890 300 00
clear	890 400 00
blue	890 500 00

Further colours and voltages on request.

✦ ACCESSORIES: SEE NEXT PAGE





Beacon 890 in combination with Multi-Tone Sounder 190 (see page 141)



The adaptor (accessory) allows quick and simple mounting on a tube (Ø 75 mm)



890 with adhesive sticker (accessory)

890 Permanent/Traffic Light Beacon

✂ ACCESSORIES:

FIXING BRACKET

Fixing bracket for one beacon	975 890 33
Fixing bracket for two beacons	975 890 34
Fixing bracket for three beacons	975 890 35
Fixing bracket for four beacons	975 890 37

Mounting material and connecting grommet included in assembly. Further information can be found on page 146.

CONNECTING GROMMET

Connecting grommet for traffic light combinations	975 890 25
---	-------------------

REFLECTOR

Additional reflector for 890 X00 00	975 890 02
-------------------------------------	-------------------

ADAPTER

Tube adapter	975 890 36
--------------	-------------------

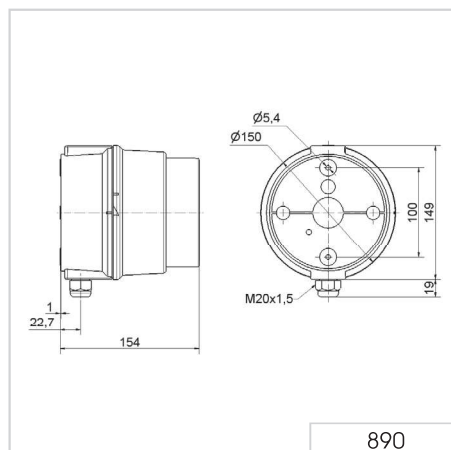
BULBS

LED bulb premium E27, 24 V	956 X20 75
LED bulb premium E27, 115 V	956 X20 67
LED bulb premium E27, 230 V	956 X20 68
For colours see page 147	
LED Bulb E27, 115 V AC, white	956 050 67
LED Bulb E27, 230 V AC, white	956 050 68
LED Bulb E27, 12-24 V AC/AC, white	956 050 75

ADHESIVE STICKERS:

→	975 890 52
STOP	975 890 53
START	975 890 54
⚡	975 890 64
👤	975 890 65

↔ TECHNICAL DIAGRAM:



897 Xenon Double Flash Beacon



① TECHNICAL SPECIFICATIONS/ORDER SPECIFICATIONS:

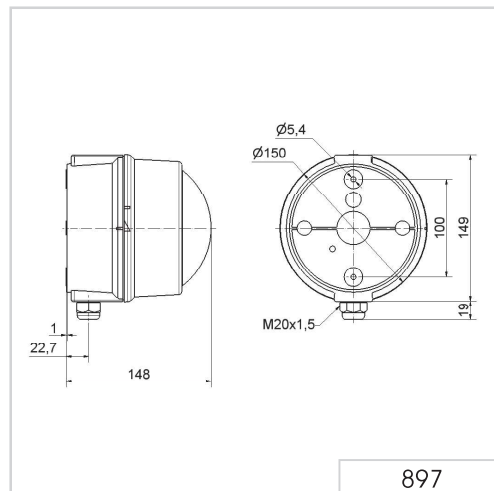
Dimensions (Ø x Height):	150 mm x 148 mm	
Housing:	PC/ABS-Blend, grey	
Lens:	PC, transparent	
Fixing:	Base mounting, tube mounting and fixing bracket (accessory)	
Cable entry:	From top or bottom with cable gland M20 x 1.5 mm or from the back with rubber grommet Ø 6-12 mm	
Connection:	Screw terminal, max. 2.5 mm ²	
Flash frequency:	1 Hz	
Flash energy:	15 Ws	
Life duration:	4 x 10 ⁶ flashes	
Voltage:	24 V DC	230 V AC
Current consumption:	700 mA	200 mA
red	897 100 55	897 100 68
yellow	897 300 55	897 300 68

Further colours and voltages on request.

✂ ACCESSORIES:

Fixing bracket, adhesive stickers see Permanent/Traffic Light Beacon 890 (page 144).

↔ TECHNICAL DIAGRAM:





Fixing bracket for (LED) Beacons 890 and Multi-Tone Sounder 190



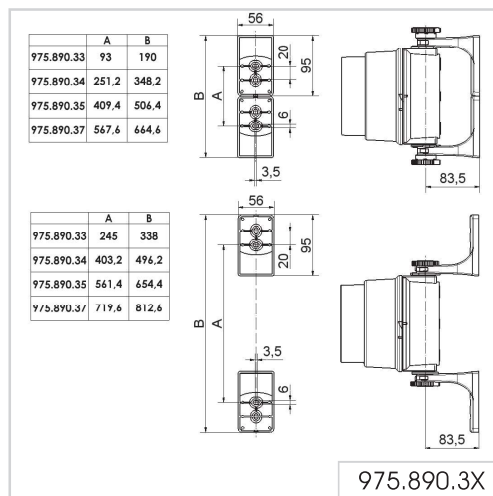
The fixing bracket can be mounted pointing inwards or outwards

890 Fixing bracket for 890/190

① TECHNICAL SPECIFICATIONS/ORDER SPECIFICATIONS:

Material Fixing bracket:	PC/ABS-Blend, grey
Material Connecting Grommet:	PA 6.6
Assembly:	Fixing bracket with mounting material and connecting grommet
Suitable for:	LED Beacon/LED Traffic Light 890 Permanent/Traffic Light Beacon 890 Multi-Tone Sounder 190
Fixing bracket for one beacon	975 890 33
Fixing bracket for two beacons	975 890 34
Fixing bracket for three beacons	975 890 35
Fixing bracket for four beacons	975 890 37

← TECHNICAL DIAGRAM:



1 tier	2 tier	3 tier	4 tier	IP65	+50°C -20°C

956 LED Bulb E27 premium



Suitable for use in
Permanent/Traffic Light
Beacons 890 (see page 143)

① TECHNICAL SPECIFICATIONS/ORDER SPECIFICATIONS:

Socket:	E27		
For use with:	890, 895		
Slight deviations in the form of the bulbs are possible.			
Voltage:	24 V AC/DC	115 V AC	230 V AC
Current consumption:	≤ 20 mA	≤ 30 mA	≤ 20 mA
red	956 120 75	956 120 67	956 120 68
green	956 220 75	956 220 67	956 220 68
yellow	956 320 75	956 320 67	956 320 68





894 LED Traffic Light (IP69k)



LED Traffic Light (3 tier)



The direction of the optical signal can be individually adjusted



Clear lenses ensure effective signalling even in direct sunlight

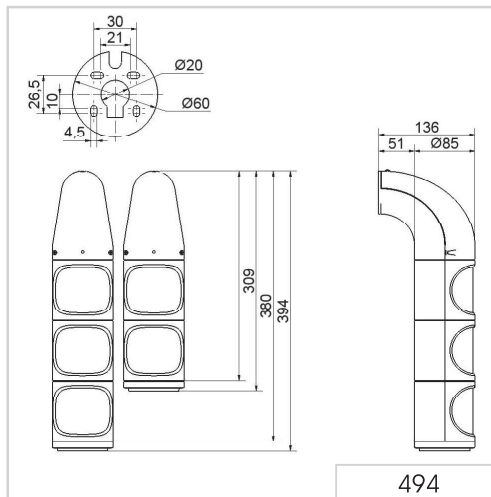
① TECHNICAL SPECIFICATIONS/ORDER SPECIFICATIONS:

Dimensions (Ø x Height):	2 tier: 85 mm x 309 mm x 136 mm 3 tier: 85 mm x 394 mm x 136 mm	
Housing:	PC/ABS, grey	
Lens:	PC, transparent	
Fixing:	Wall mounting, tube mounting (accessory)	
Cable entry:	Cable diameter max. 13 mm	
Connection:	Screw terminal 0.5 - 1.5 mm ²	
Installation position:	Vertical/hanging	
Duty cycle:	100 %	
Life duration:	Up to 50,000 hrs	
Voltage:	24 V DC	115-230 V AC
Current consumption:	60 mA (red/yellow)	30 mA per tier at 230 V/50 Hz
	120 mA (green)	
red/green	894 160 55	894 160 68
red/yellow/green	894 180 55	894 180 68

✂ ACCESSORIES:

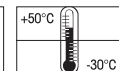
Fixing bracket underneath	975 894 01
---------------------------	-------------------

↪ TECHNICAL DIAGRAM:



2 tier

3 tier



894 LED Traffic Light (IP69k)

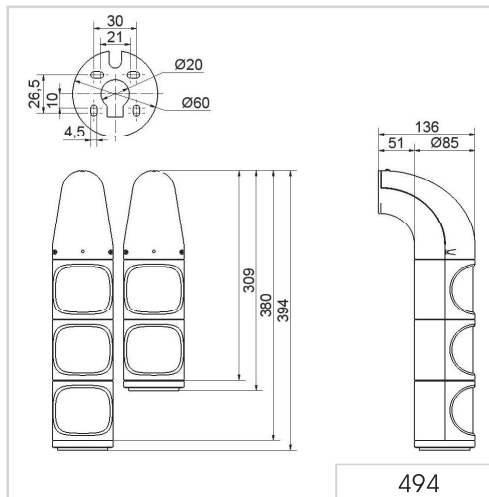


The direction of the optical signal can be individually adjusted

① TECHNICAL SPECIFICATIONS/ORDER SPECIFICATIONS:

Dimensions (Ø x Height):	2 tier: 85 mm x 309 mm x 136 mm 3 tier: 85 mm x 394 mm x 136 mm	
Housing:	PC/ABS, grey	
Lens:	PC, transparent	
Fixing:	Wall mounting, tube mounting (accessory)	
Cable entry:	Cable diameter max. 13 mm	
Connection:	Screw terminal 0.5 - 1.5 mm ²	
Installation position:	Vertical/hanging	
Duty cycle:	100 %	
Life duration:	Up to 50,000 hrs	
Voltage:	24 V DC	115-230 V AC
Current consumption:	60 mA (red/yellow)	30 mA per tier at 230 V/50 Hz
red/green	894 060 55	894 060 68
red/yellow/green	894 080 55	894 080 68

↔ TECHNICAL DIAGRAM:



2 tier

3 tier

