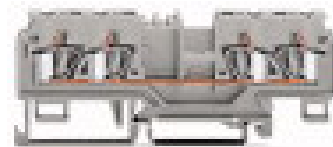


Printview: 4-conductor through terminal block; without shield contact; with test port for test plug 2 mm Ø and 2.3 mm Ø; max. insulation diameter 4.4 mm - Item No.: 880-831

**WAGO**® online catalog / eShop

**4-conductor through terminal block; without shield contact; with test port for test plug 2 mm Ø and 2.3 mm Ø; max. insulation diameter 4.4 mm**

Item No.: 880-831



4-conductor through terminal block; without shield contact; with test port for test plug 2 mm Ø and 2.3 mm Ø; max. insulation diameter 4.4 mm

## Marking

RoHS ✓  
Compliant

## Business data

Supplier	WAGO
Item no.	880-831
GTIN / EAN	4044918560757
Content	1
Order amount	50
Customer item number	

## Notes

## Technical data

### Miscellaneous

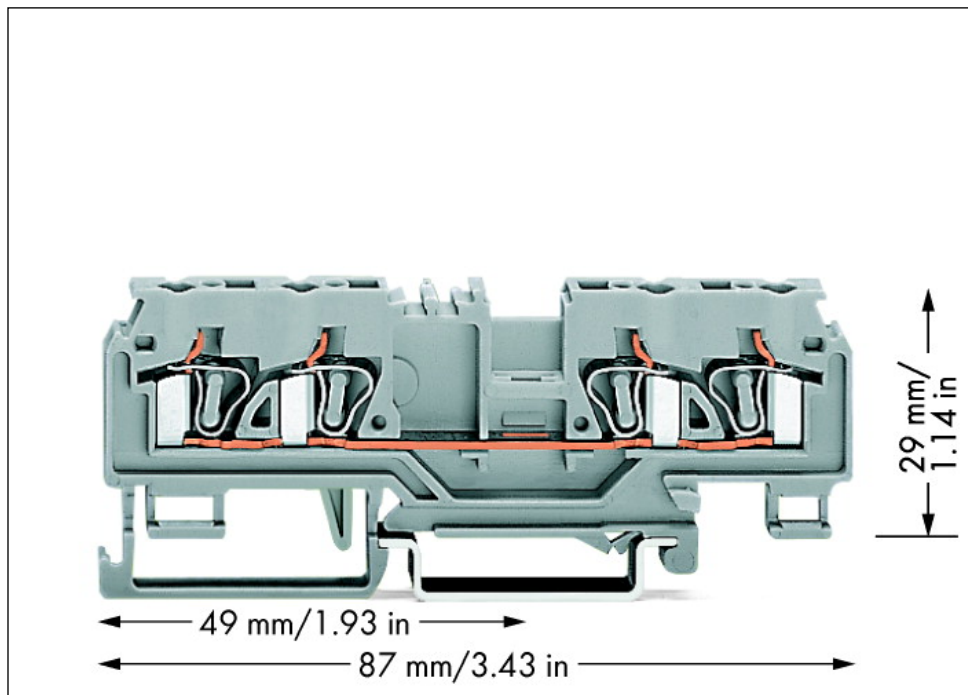
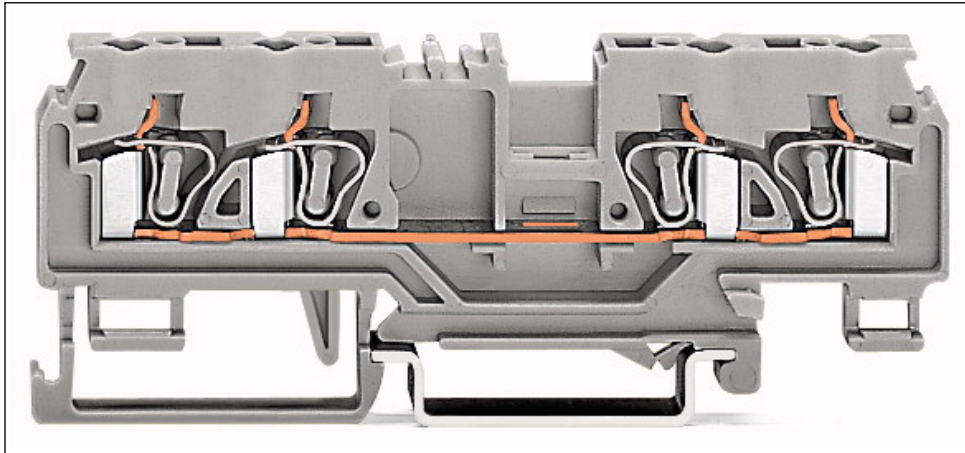
Total number of connection points	4
Total number of potentials	1
Color	gray
Ratings according to 1	IEC/EN 60947-7-1
Pollution degree (1)	3
Rated voltage EN (1) [V]	800 [V]
Rated surge voltage (1) [kV]	8 [kV]
Nominal current [A]	20 [A]

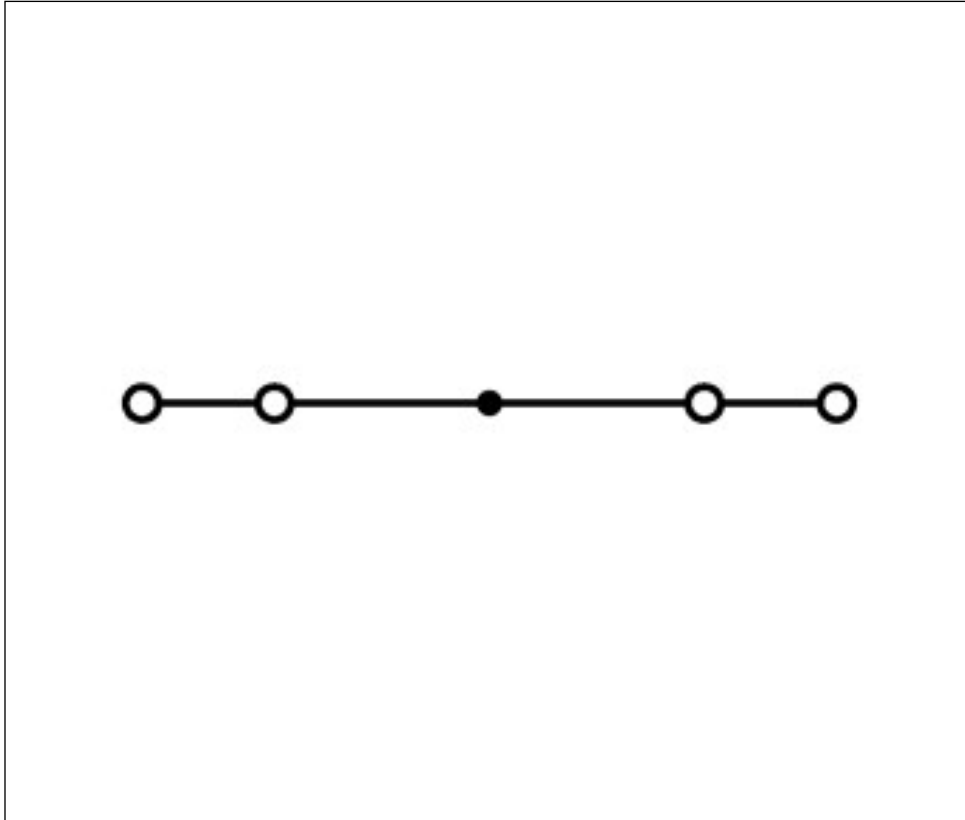
Printview: 4-conductor through terminal block; without shield contact; with test port for test plug 2 mm Ø and 2.3 mm Ø; max. insulation diameter 4.4 mm - Item No.: 880-831

<b>Technical data</b>	
<i>Connection technology (1)</i>	<i>CAGE CLAMP®</i>
<i>Solid sizes 1</i>	<i>0.08 ... 4 mm<sup>2</sup> / 28 ... 12 AWG</i>
<i>Fine-stranded wires 1</i>	<i>0.08 ... 4 mm<sup>2</sup> / 28 ... 12 AWG</i>
<i>Strip length 1</i>	<i>8 ... 9 mm / 0.31 ... 0.35 in</i>
<i>Type of wiring</i>	<i>Front-entry wiring</i>
<i>Design</i>	<i>horizontal</i>
<i>Marking level</i>	<i>Center marking</i>
<i>Insulating material</i>	<i>Polyamide 66 (PA 66)</i>
<i>Fire load [MJ]</i>	<i>0.176 [MJ]</i>
<i>Weight [g]</i>	<i>10.784 [g]</i>
<i>Width</i>	<i>5 mm / 0.197 in</i>
<i>Height from upper-edge of DIN-rail [mm]</i>	<i>29 [mm]</i>
<i>Height from upper-edge of DIN-rail</i>	<i>29 mm / 1.142 in</i>
<i>Length</i>	<i>87 mm / 3.425 in</i>
<i>Type of mounting</i>	<i>DIN 35 rail</i>

Printview: 4-conductor through terminal block; without shield contact; with test port for test plug 2 mm Ø and 2.3 mm Ø; max. insulation diameter 4.4 mm - Item No.: 880-831

## Images & drawings





#### Address

WAGO Kontakttechnik GmbH & Co. KG

Hansastr. 27

32423 Minden

Telefon: 0571/887-0

Fax: 0571/887-169

<http://www.wago.com>

© WAGO Kontakttechnik GmbH & Co. KG

Technische Änderungen und Irrtümer vorbehalten.