

PLEASE CHECK WWW.MOLEX.COM FOR LATEST PART INFORMATION

Part Number: [0859993255](#)
Status: **Active**
Overview: Magnetic and Modular Jacks/Plugs
Description: Blind Plug Dust Cover for 8 Position Modular Jack

Documents:

| | |
|--------------------------------|--|
| 3D Model | Drawing (PDF) |
| 3D Model (PDF) | RoHS Certificate of Compliance (PDF) |

General

| | |
|----------------|---|
| Product Family | Accessories |
| Series | 44915 |
| Component Type | Dust Cover |
| Overview | <u>Magnetic and Modular Jacks/Plugs</u> |
| Product Name | RJ45 |
| Taxonomy | Connector Accessories |
| UPC | 800754859783 |

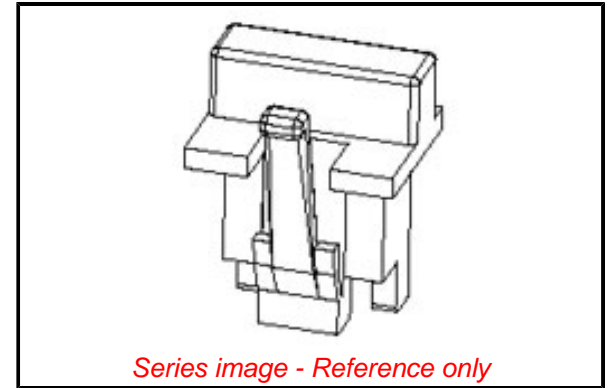
Physical

| | |
|-------------------------------|---------------|
| Circuits (Loaded) | 8 |
| Circuits (maximum) | 8 |
| Color - Resin | Black |
| Net Weight | 1.350/g |
| Packaging Type | Bag |
| Temperature Range - Operating | -40° to +85°C |

Material Info

Reference - Drawing Numbers

| | |
|---------------|------------------|
| Sales Drawing | SD-85999-056-001 |
|---------------|------------------|



EU ELV

Not Relevant

EU RoHS

Compliant

REACH SVHC

Not Contained Per -
D(2022)4187-DC (10
June 2022)

Halogen-Free

Status

Low-Halogen

For more information, please visit [Contact US](#)

China ROHS

ELV

RoHS Phthalates

China RoHS

Green Image

Not Relevant

Not Contained

Search Parts in this Series

[44915 Series](#)

Use With

8 Position Modular Jacks