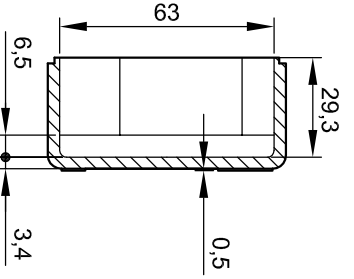
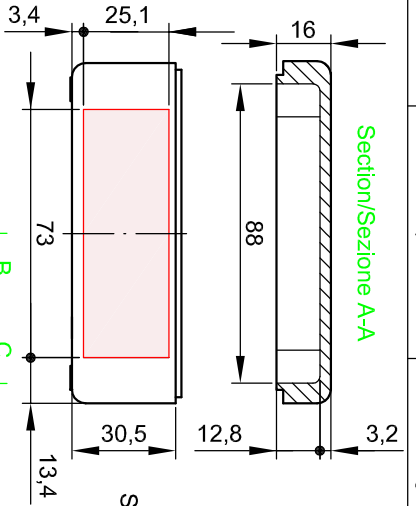


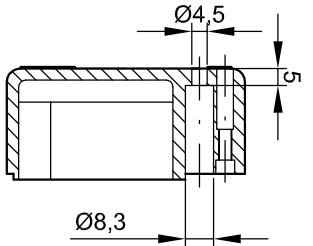
Section/Sezione B-B



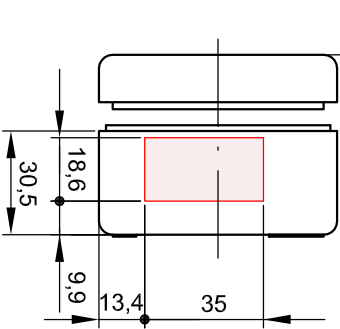
Section/Sezione A-A



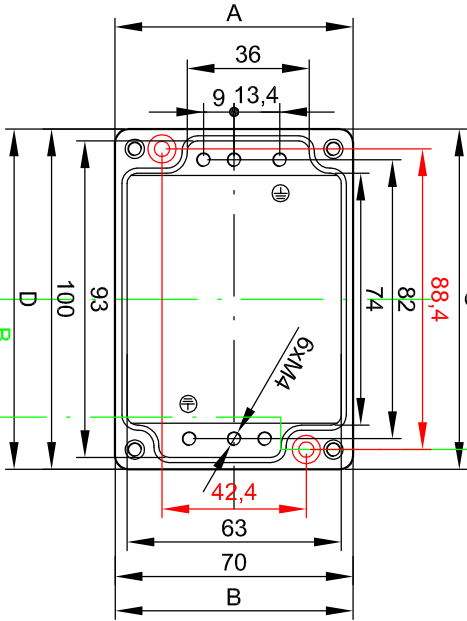
Section/Sezione C-C



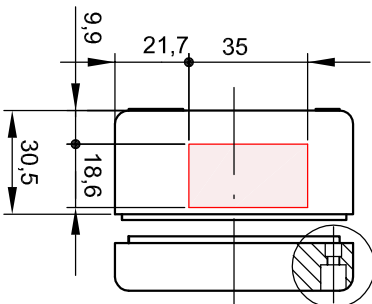
Side/Lato B



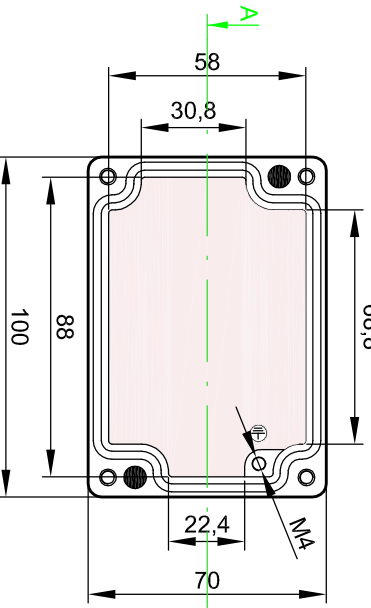
Side/Lato D



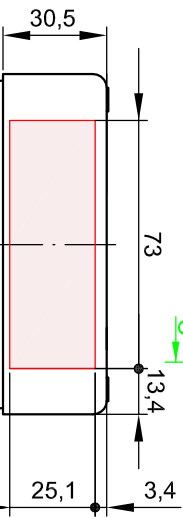
Side/Lato A



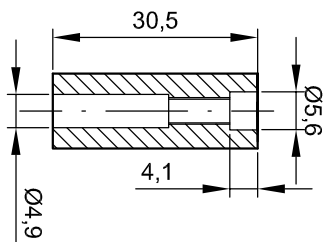
Cover/Coperchio



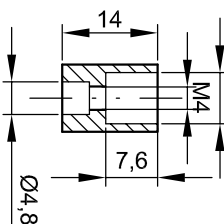
Side/Lato C



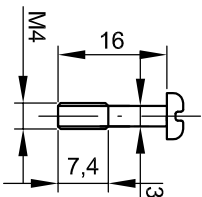
Bottom part of box 8100.8002 and on a screw M4x16



Cover part of box 8100.8002 and on a screw M4x16



Scala 1:1



Mod.	Dat.	Name
19.06.2013		E.L.

Mod.	Dat.	Name
19.06.2013		E.L.

Mod.	Dat.	Name
19.06.2013		E.L.

S-8100 series, aluminum enclosures
100x70x45 STD-Grey RAL 7001
Cassette in alluminio, serie S-8100
100x70x45 STD-Grigio RAL 7001

molex

8100.8002.0

Mod. 10.07.04

Scala 1:2 (1:1)