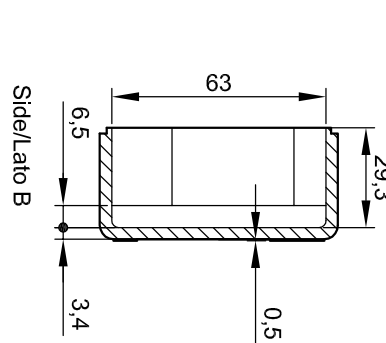
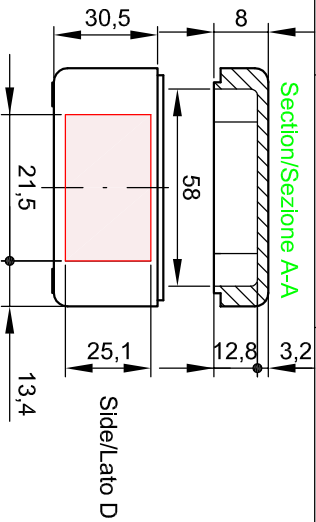


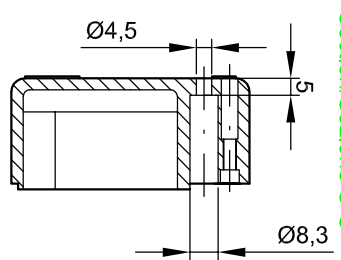
Section/Sezione B-B



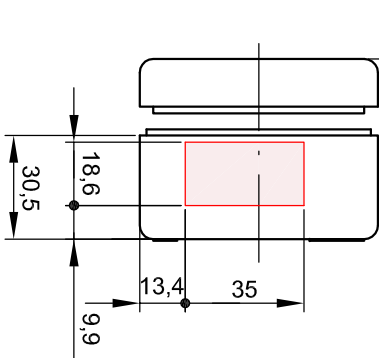
Section/Sezione A-A



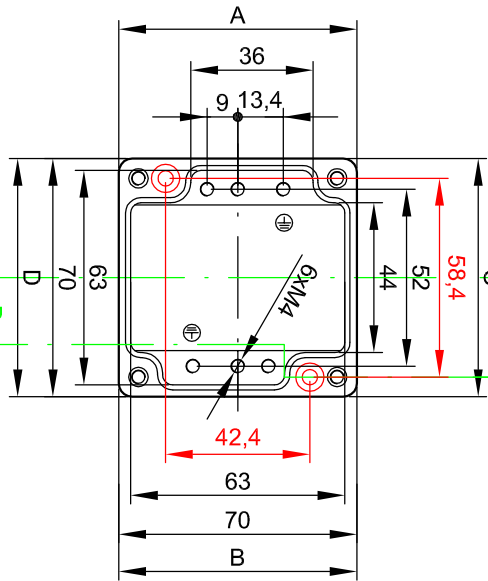
Section/Sezione C-C



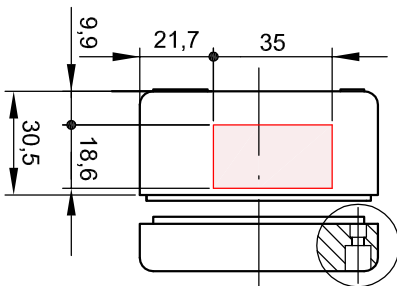
Side/Lato B



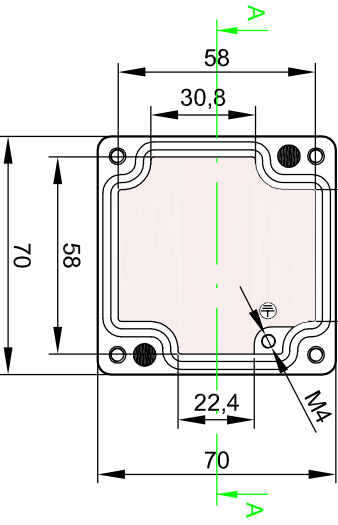
Side/Lato D



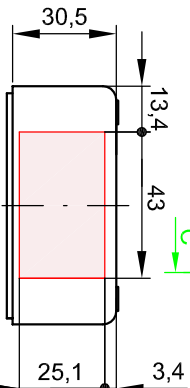
Side/Lato A



Cover/Coperchio

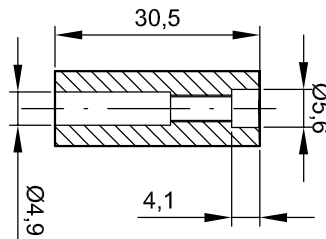


Side/Lato C

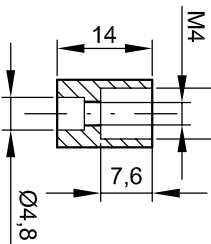


All Dimensions in mm

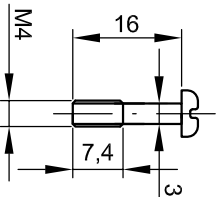
Bottom part of box 8100.8001 and on a screw M4x16



Cover part of box 8100.8001 and on a screw M4x16



Scala 1:1



S-8100 series, aluminum enclosures

70x70x45 STD-Grey RAL 7001

Cassette in alluminio, serie S-8100

70x70x45 STD-Grigio RAL 7001

8100.8001.0

Mod. 07.07.04

molex

Mod.	Dat.	Name
19.06.2013		E.L.

Detail	Date	Name
19.06.2013		E.L.

Scala 1:2 (1:1)