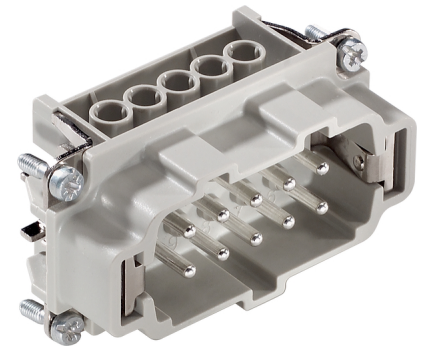


U.I. Lapp GmbH	<h1>DATASHEET</h1>	
	EPIC KIT H-BE 10 BS AG	75009642 07.11.2014

Standard inserts with screw termination, crimp termination, cage clamp termination and Push-In termination
Standard inserts with screw, crimp cage clamp and Push-In termination
The EPIC® H-BE series is suitable for applications that require a reliable connection when working with high voltages and currents



Industrial machinery and plant engineering



Robust



Temperature-resistant

Info

Multifunctional insert for versatile applications
Screw, crimp, cage clamp and Push-In version - freely combinable

Application range

Mechanical engineering
Light & sound technology
Plastics industry

Remark

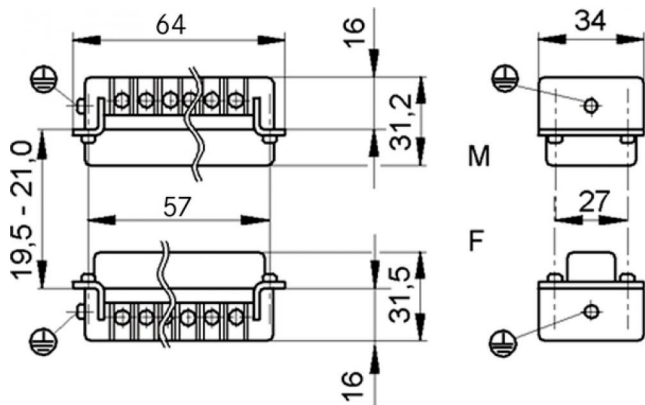
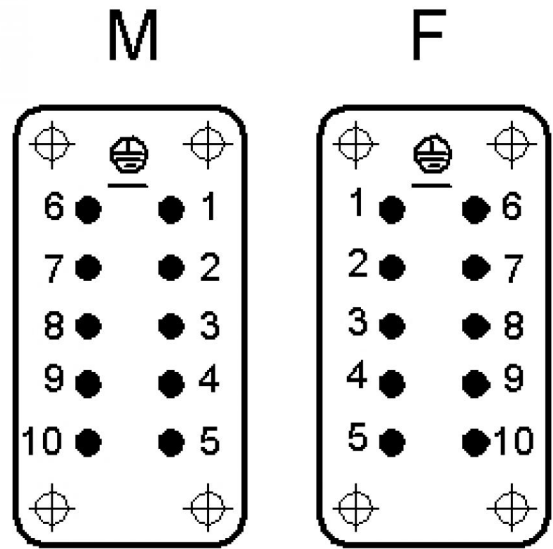
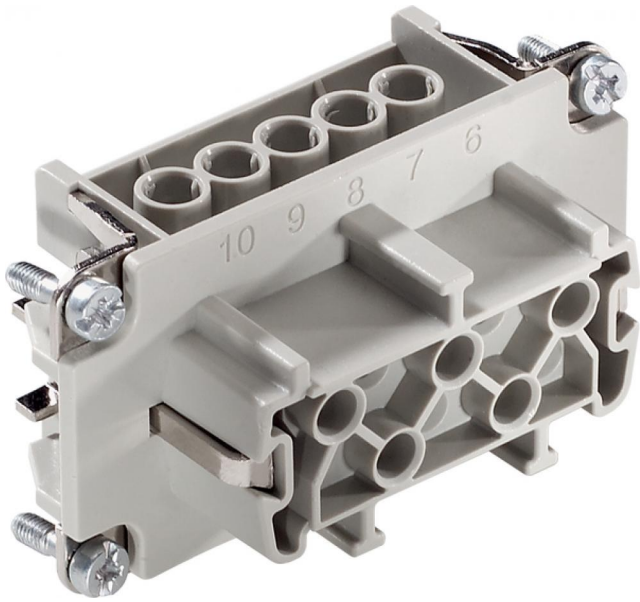
Photographs are not to scale and do not represent detailed images of the respective products.

Technical Data

Article number:	75009642
Pieces / PU:	1
Rated voltage (V):	IEC: 500 V UL: 600 V CSA: 600 V
Rated impulse voltage:	6 kV
Rated current (A):	IEC: 16 A UL: 16 A CSA: 16 A
Contact resistance:	< 2 mOhm
Contacts:	Copper alloy, hard silver-plated
Number of contacts:	10 + PE
Termination methods:	Screw termination: 0.5 - 2.5 mm ²
Cycle of mechanical operation:	100
Temperature range:	-40°C to +100°C, short-term up to +125°C
VDE-tested:	Certified production control: VDE-REG. no.: B437 UL-tested: UL File Number: E75770
Degree of soiling:	3

Product Management	Document: EPIC KIT H-BE 10 BS AG	1 / 4
--------------------	----------------------------------	-------

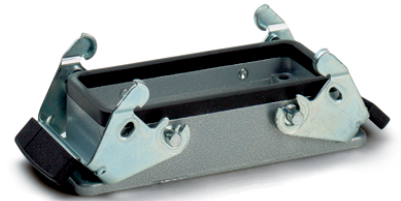
U.I. Lapp GmbH	<h1>DATASHEET</h1>	
	EPIC KIT H-BE 10 BS AG	75009642 07.11.2014



Product Management	Document: EPIC KIT H-BE 10 BS AG	2 / 4
--------------------	----------------------------------	-------

U.I. Lapp GmbH	<h1>DATASHEET</h1>	
	EPIC KIT H-BE 10 BS AG	75009642 07.11.2014

Housing design H-B. The industry standard.
The smallest housing with single and double lever. The right housing is available for every application



Automation



Industrial machinery and plant engineering



Mechanical resistance



Robust



Waterproof

Info

Universal, robust metal housings size H-B 10

Application range

Plant engineering
Light & sound technology
Plastics industry

Product features

Panel-mount base
Dual levers
Included: flat gasket

Remark

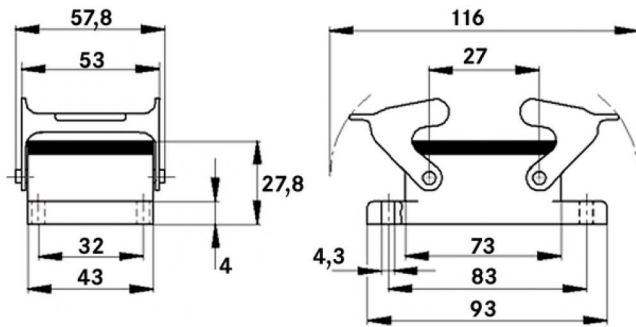
Photographs are not to scale and do not represent detailed images of the respective products.

Technical Data

Article number:	75009642
Pieces / PU:	1
Material:	Housing: powder-coated aluminium alloy, grey Lever: zinc-plated steel Sealing: NBR
Protection rating:	IP 65 (latched)
Temperature range:	-40°C to +100°C, short-term up to +125°C

Product Management	Document: EPIC KIT H-BE 10 BS AG	3 / 4
--------------------	----------------------------------	-------

U.I. Lapp GmbH	<h1>DATASHEET</h1>	
	EPIC KIT H-BE 10 BS AG	75009642 07.11.2014



Product Management	Document: EPIC KIT H-BE 10 BS AG	4 / 4
--------------------	----------------------------------	-------