

**PLEASE CHECK WWW.MOLEX.COM FOR LATEST PART INFORMATION**

**Part Number:** [0745400101](#)  
**Status:** **Active**  
**Overview:** iPass™ Connector System  
**Description:** PCIe Guide Frame, x8, for PCIe Add-In Cards, 1° Cage Angle, With Key

**Documents:**

[3D Model](#) [RoHS Certificate of Compliance \(PDF\)](#)  
[Drawing \(PDF\)](#)

**General**

Product Family	I/O Connectors
Series	74540
Application	Module-to-Board
Comments	For PCIe Add-In Cards 1° Cage Angle
Component Type	Guide
Overview	<a href="#">iPass™ Connector System</a>
Product Name	iPass™, Mini Multi-Lane, PCI Express*
Type	N/A
UPC	822350703826

**Physical**

Circuits (Loaded)	68
Durability (mating cycles max)	100
Keying to Mating Part	Yes
Lock to Mating Part	Yes
Material - Plating Mating	N/A
Net Weight	18.530/g
Orientation	Horizontal
PCB Retention	Yes
Packaging Type	Tray
Panel Mount	Yes
Pitch - Mating Interface	0.80mm
Polarized to Mating Part	Yes
Ports	1
Temperature Range - Operating	-20°C to +85°C
Termination Interface: Style	Crimp or Compression
Wire Insulation Diameter	N/A
Wire Size AWG	N/A

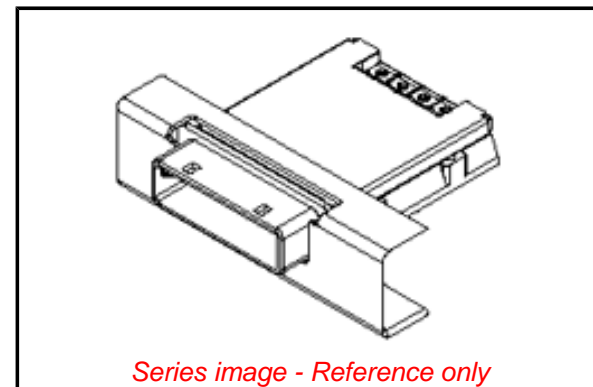
**Electrical**

Current - Maximum per Contact	N/A
Grounding to Panel	N/A
Shielded	Yes

**Material Info**

**Reference - Drawing Numbers**

Sales Drawing	SD-74540-101
---------------	--------------



**EU ELV**

**Not Relevant**

**EU RoHS**

**Compliant**

**REACH SVHC**

Contains SVHC(2014 December 17): No

**Halogen-Free**

**Status**

**Low-Halogen**

**Need more information on product environmental compliance?**

Email [productcompliance@molex.com](mailto:productcompliance@molex.com)  
Please visit the [Contact Us](#) section for any non-product compliance questions.

China ROHS

ELV

Green Image

Not Relevant

**Search Parts in this Series**

[74540 Series](#)

**Mates With**

[74546 iPass™ Cable Assembly](#)