

PLEASE CHECK WWW.MOLEX.COM FOR LATEST PART INFORMATION

Part Number: [0734152121](#)
Status: **Active**
Overview: MMCX RF Connectors
Description: 50 Ohms, MMCX Vertical Plug, PCB, Plating Per Commercial Requirements, Bulk

Documents:

[3D Model](#) [Drawing \(PDF\)](#)
[3D Model \(PDF\)](#) [RoHS Certificate of Compliance \(PDF\)](#)

General

Product Family	RF/Coax Connectors
Series	73415
Overview	<u>MMCX RF Connectors</u>
Product Name	MMCX
Style	PCB
Taxonomy	RF / Coaxial Connectors
Type	Microminiature
UPC	822350561457
Wire/Cable Type	N/A

Physical

Gender	Plug
Keying to Mating Part	None
Net Weight	0.254/g
Orientation	Straight
PCB Mounting	Through Hole
PCB Thickness - Recommended	2.40mm
Packaging Type	Bag
Panel Mount	No
Panel Mount Method	N/A
Reverse Polar	No

Electrical

Frequency	6 GHz
Impedance	50Ω
Power / Voltage	VOLTAGE: 170 Vrms@Sea Level

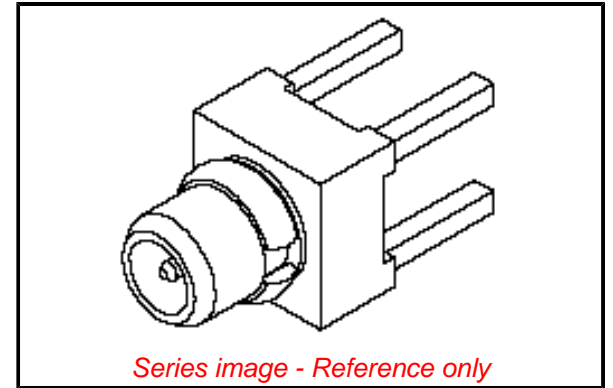
Solder Process Data

Duration at Max. Process Temperature (seconds)	005
Lead-freeProcess Capability	SMC&WAVE
Max. Cycles at Max. Process Temperature	002
Process Temperature max. C	260

Material Info

Reference - Drawing Numbers

Sales Drawing	SD-73415-212-001
---------------	------------------



EU ELV

Not Relevant

EU RoHS

Compliant with Exemption 6(c)

REACH SVHC

Contained Per -
D(2022)4187-DC (10
June 2022)

Lead

Halogen-Free

Status

Low-Halogen

For more information, please visit [Contact US](#)

China ROHS

ELV

RoHS Phthalates

China RoHS

50 Image

Not Relevant

Not Contained

Search Parts in this Series

[73415 Series](#)