

Dot laser, red, 650 nm, 0.4 mW

LFD650-0.4-12(9x20)-6-12V
Order Number: 70125658

Main Parameters (*)	min	typ	max	Unit
Wavelength		650		nm
Optical Diode Power	0.2	0.4	0.4	mW
Operating Voltage	6	6	12	V DC
Operating Current	5	15	25	mA
Operating Temperature	-20		40	°C
Storage Temperature	-40		80	°C

Main Data

Warranty 1 years

Technical Parameters

Lifetime > 3,000 h
RoHS yes

Optical Parameters

Beam Shape	Dot
Laser Class	1
Divergence	H - 1.0 mrad
Beam Diameter	3 mm
Size of Laserdot	<4..5mm@5m
Operating Distance	10 m
Optics	acryl lense
Laser technology	Single Mode Diode
Focus	collimated

Mechanical Parameters

Size	Ø9x20 mm
Material	Brass
Cable length	100 mm
Wire type	26AWG, 0,14mm ²
Output Aperture	3 mm
Housing Color	brass
Weight	6 g

(*) Over the complete operating temperature range

Features



- Compact size
- Laser Class 1

- Low power consumption
- Operating Voltage 6-12V DC
- Low cost

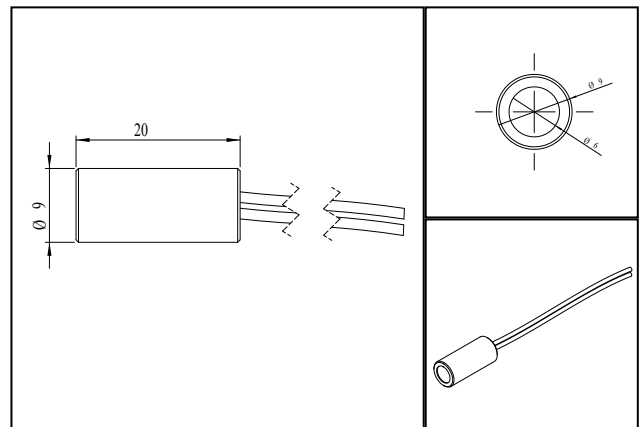
Picture



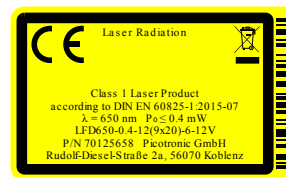
Cable color

Ground		black	GND
Positive		red	6 - 12, typ 6 V DC

Drawing



Safety Label



Valid Revision

| 06-MAY-2022