

Dot laser, red, 650 nm, 0.4 mW

LFD650-0.4-6(9x20)
Order Number: 70125641

Main Parameters (*)	min	typ	max	Unit
Wavelength		650		nm
Optical Diode Power	0.2	0.4	0.4	mW
Operating Voltage	3	3	6	V DC
Operating Current	5	15	25	mA
Operating Temperature	-20		40	°C
Storage Temperature	-40		80	°C

Main Data

Warranty 1 years

Technical Parameters

Lifetime > 3,000 h
RoHS yes

Optical Parameters

Beam Shape Dot
Laser Class 1
Divergence H - 1.0 mrad
Beam Diameter 3 mm
Size of Laserdot <4..5mm@5m
Operating Distance 10 m
Optics acryl lense
Laser technology Single Mode Diode
Focus collimated

Electrical Parameters

Potential of Housing VDD(+)
Power Supply LFNT-3

Mechanical Parameters

Size Ø9x20 mm
Material Brass
Cable length 100 mm
Wire type 26AWG, 0,14mm²
Output Aperture 3 mm
Weight 6 g

(*) Over the complete operating temperature range

Features

- Compact size
- Laser Class 1
- Low power consumption
- Operating Voltage 3-6V DC
- Low cost

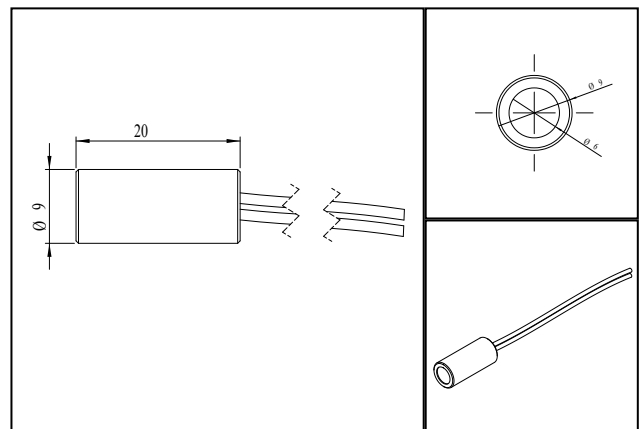
Picture



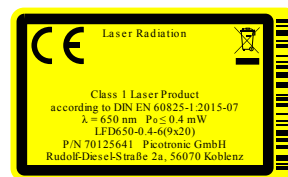
Cable color

Ground  black GND
Positive  red 3 - 6, typ 3 V DC

Drawing



Safety Label



Valid Revision

| 06-MAY-2022