

## Dot laser, red, 650 nm, 0.4 mW

DI650-0.4-3(8x21)-AP  
Order Number: 70121582

Main Parameters (*)	min	typ	max	Unit
Wavelength	640	650	660	nm
Optical Output Power	0.3	0.4	0.4	mW
Operating Voltage	2.7	3	3.3	V DC
Operating Current	10	18	30	mA
Operating Temperature	-20		50	°C
Storage Temperature	-40		80	°C

### Main Data

Warranty 1 years

### Technical Parameters

Lifetime > 5,000 h  
RoHS yes

### Optical Parameters

Beam Shape Dot  
Laser Class 1  
Divergence 1 - 1.5 mrad  
Beam Diameter 2 mm  
Size of Laserdot <3.5mm@5m  
Operating Distance 10 m  
Optics glass lens AR coated  
Laser technology Single Mode Diode  
Axial Divergence  $\pm 0.15^\circ$   
Focus collimated

### Electrical Parameters

Potential of Housing isolated  
Power Supply LFNT-3

### Mechanical Parameters

Size  $\varnothing 8 \times 21$  mm  
Material aluminium  
Cable length 100 mm  
Wire type 26AWG, 0,14mm<sup>2</sup>  
Output Aperture 2.5 mm  
Housing Color silver  
Weight 3 g

(\*) Over the complete operating temperature range

### Features



- Axial parallel
- Low power consumption
- Compact size
- Laser Class 1
- Operating Voltage 3 V DC

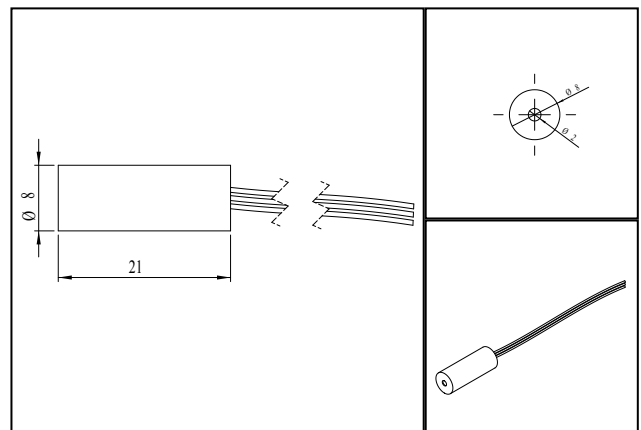
### Picture



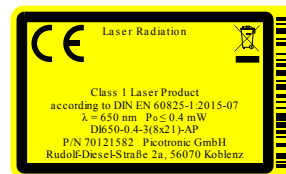
### Cable color

Ground		blue	GND
Positive		red	2.7 - 3.3, typ 3 V DC

### Drawing



### Safety Label



### Valid Revision

| 31-AUG-2022