

## Dot laser, red, 635 nm, 0.4 mW

DD635-0.4-24(12x45)  
Order Number: 70118063

Main Parameters (*)	min	typ	max	Unit
Wavelength		635		nm
Optical Output Power		0.4		mW
Operating Voltage	23.6	24	24.4	V DC
Operating Current	2	5	15	mA
Operating Temperature	-20		50	°C
Storage Temperature	-40		80	°C

### Main Data

Warranty 1 years

### Technical Parameters

Lifetime > 5,000 h  
RoHS yes

### Optical Parameters

Beam Shape Dot  
Laser Class 1  
Divergence D - 0.5 mrad  
Size of Laserdot adjustable  
Operating Distance 10 m  
Optics glass lens AR coated  
Laser technology Single Mode Diode  
Focus adjustable

### Electrical Parameters

Potential of Housing isolated

### Mechanical Parameters

Size Ø12x45 mm  
Material aluminium  
Cable length 100 mm  
Wire type 26AWG, 0,14mm<sup>2</sup>  
Output Aperture 3.5 mm  
Housing Color black  
Weight 17 g  
Stripping of wire 5 mm

(\*) Over the complete operating temperature range

### Features





- Operating Voltage 24 V DC
- Adjustable focus
- Small laser head
- Laser Class 1

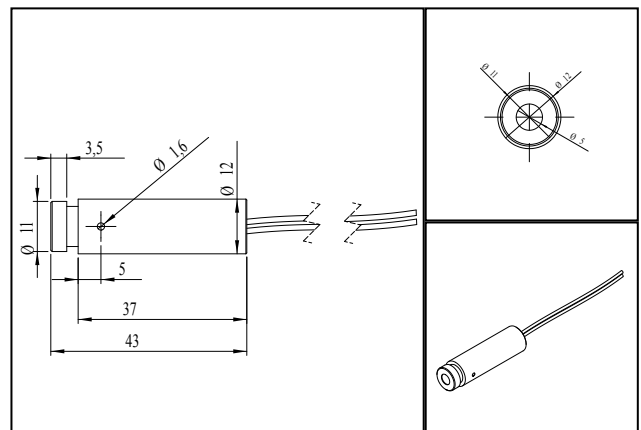
### Picture



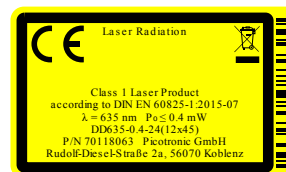
### Cable color

Ground		black	GND
Positive		red	23.6 - 24.4, typ 24 V DC

### Drawing



### Safety Label



### Valid Revision

4 | 16-AUG-2023